



# LED LIGHTING

PRODUCT CATALOG

2024





90 years  
wetzels

## ABOUT WETZEL

Founded in 1932 in Joinville (SC), a **Wetzels** is a reference in the segments in which it operates, meeting specific needs with a high degree of demand.

The company currently has more than 45.000m<sup>2</sup> of area and has over 1.300 employees. It offers a diversified portfolio for those who need innovative and competitive solutions.

Focused on working in partnership with its customers, it assists in identifying business opportunities and develops products that meet the needs of projects and exceed expectations.

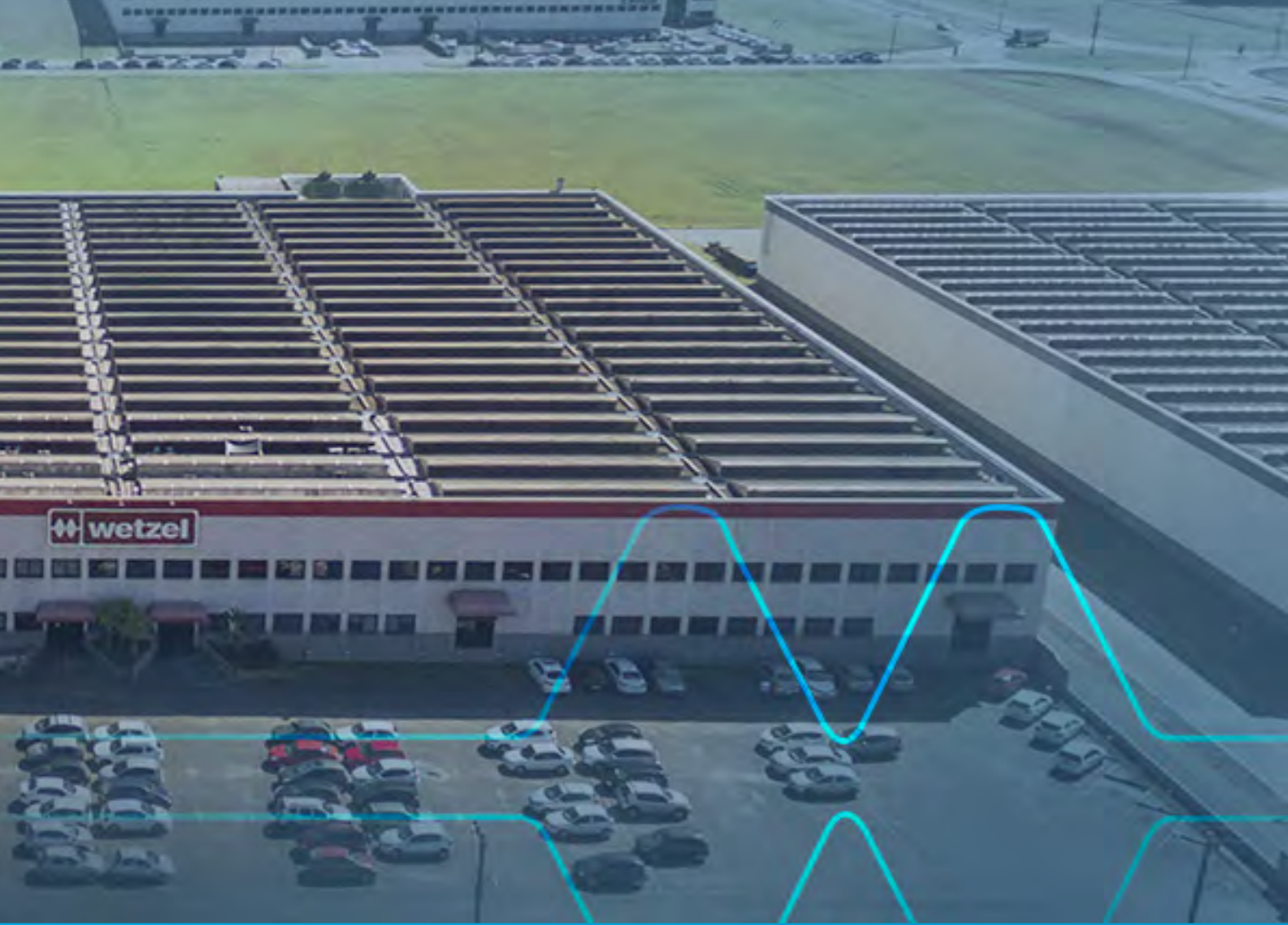
It is a dynamic organization in continuous transformation and expansion, with consolidated performance in the Brazilian market and abroad.

### BUSINESS UNITS

COMPONENTES  
PARA INSTALAÇÕES  
**ELÉTRICAS INDUSTRIAIS**

COMPONENTES  
DE ILUMINAÇÃO  
**INDUSTRIAL LED**

COMPONENTES  
AUTOMOTIVOS EM  
**ALUMÍNIO E FERRO**



In the **industrial lighting** segment, **Wetzel** is always remembered in the market for its quality, durability and efficiency. With almost 50 years of experience in the lighting market, it occupies a prominent national position and always follows the evolution of light source technologies.

Therefore, it established a specific business segment: the **Wetzel LED**. This segment that was born with expertise in the development of robust cast aluminum light fixtures for industrial environments. In order to provide innovative and competitive solutions, **Wetzel LED** has a trained and qualified team for the development of modern and efficient products, meeting the high demands of the industrial market, in order to meet the needs of projects and exceed customer expectations.



# CONTENTS

WETZEL LED BENEFITS	5
CONCEPTS	6
LIGHTING PROJECT	16

WETZEL LIGHTING CONTROL	18
-------------------------	----

INDUSTRIAL LIGHT FIXTURE LI • 32.000	26
---	----

INDUSTRIAL LIGHT FIXTURE LI • 23.000	30
---	----

• 17.000	32
----------	----

INDUSTRIAL LIGHT FIXTURE M01 • 10.000	36
--	----

INDUSTRIAL LIGHT FIXTURE M01 • 8.000	42
---	----

INDUSTRIAL LIGHT FIXTURE M01 • 6.000	48
---	----

INDUSTRIAL LIGHT FIXTURE M01 • 4.000	54
---	----

LIGHT FIXTURE M02 23.000	60
-----------------------------	----

• 20.000	61
----------	----

• 17.000	62
----------	----

LIGHT FIXTURE M03 • 30.000	66
-------------------------------	----

LIGHT FIXTURE M04 • 46.000	70
-------------------------------	----

• 40.000	71
----------	----

LIGHT FIXTURE LHW • 7.000	76
------------------------------	----

• 3.500	77
---------	----

CUSTOMIZED PROJECTS WYPL LIGHT FIXTURE 3.700 - 24 V.c.c	80
---	----

WYPL LIGHT FIXTURE • 7.000	84
-------------------------------	----

• 3.400	86
---------	----

• 3.000	88
---------	----

OFFICE LIGHT FIXTURE • 3.600	94
---------------------------------	----

ASL BEACON • 32 cd	98
-----------------------	----

• 16 cd	100
---------	-----

BEACONS • DIRECT LAMP 400	104
------------------------------	-----

• WYL - 400	105
-------------	-----

• IPTL - 900 / 400	108
--------------------	-----

PORTABLE LIGHT FIXTURES • IPTL - 900 / 400	112
---	-----

• WYPL - 3.400 / 3.000	114
------------------------	-----

EMERGENCY LIGHT FIXTURE • 4.000	118
------------------------------------	-----

• 3.000	119
---------	-----

EMERGENCY INDUSTRIAL LIGHT FIXTURE • 4.000	122
--	-----

• 3.000	123
---------	-----



# BENEFITS OF WETZEL LED LIGHT FIXTURES



The use of LED lighting has been growing exponentially in the most diverse segments of the economy. Formed by light-emitting diodes (semiconductor electronics), this technology has numerous advantages.

Extremely efficient, its benefits go beyond durability and sustainability, which justifies its increasing application.

## BENEFITS:



**ENERGY SAVING:** LED light fixtures allow up to 75% of electricity savings. (higher luminous flux for lower power consumption);



**SHELF LIFE:** LED technology provides an extended life expectancy due to the durability of its construction materials.



**LOW MAINTENANCE COST:** Due to the extended service life, LED light fixtures avoid constant replacements and interruptions in work areas, which ensures greater maintenance savings.



**RESISTANT TO HARSH ENVIRONMENTS:** Indicated for environments with vibration, impact, sanitation processes, etc.



**DOES NOT EMIT ULTRAVIOLET RAYS:** Responsible for causing serious damage to health such as premature aging, eye problems and even changes in the immune system.



**DOES NOT EMIT INFRARED RAYS:**  
Does not emit heat in the light beam.



**ENVIRONMENTALLY FRIENDLY:**  
Manufacture and disposal not harmful to the environment.



## CONCEPTS

Light is a crucial raw material in all segments of life, especially in industry, where employees spend up to 90% of their time in closed areas under the influence of artificial light. Therefore, choosing the right light in the work environment can improve production efficiency, ensure safety at work, eliminate errors, promote motivation, ensure visual comfort and well-being.

Understanding the lighting concepts is essential for choosing the best light to be applied in the environment:

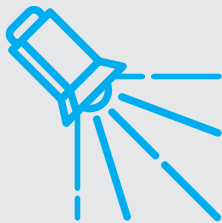


### POWER

Electrical power is the amount of energy consumed by the light fixture.

**UNIT OF MEASUREMENT: WATT - W**

**Note:** Although this measure is generally used as a parameter in the choice of light fixtures, it does not refer to light emission.



### LUMINOUS FLUX

Luminous flux is the amount of light emitted by a light source.

**UNIT OF MEASUREMENT: LUMENS - lm**

**Nota:** Represents the amount of light that the light fixture delivers to the environment.



### LUMINOUS/ENERGY EFFICIENCY

It is the relationship between the amount of light emitted (lumiso flux - lm) and the amount of energy consumed (power - W).

**UNIT OF MEASUREMENT: LÚMENS PER WATT - lm/W**

**Nota:** It is used to check whether a certain type of light fixture is more efficient than another, making luminous efficiency a fundamental parameter in the selection. The higher the result, the greater the efficiency of the result.





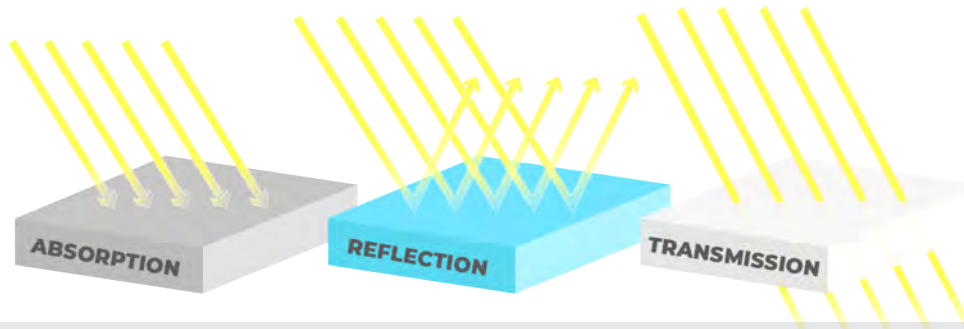
## LUMINOUS FLUX OF THE LED FIXTURE (EFFECTIVE) $\neq$ LUMINOUS FLUX OF THE LED (NOMINAL)



### Important!

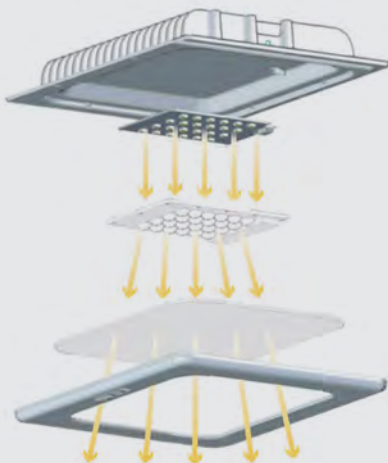
The final luminous flux that is presented in the light fixture (effective) will always be lower than that radiated by the LED (nominal).

The LED light source and the light fixture lens (s) (components that direct the light beams into the light fixture) have a direct influence on the light generation and transmission process. Thus, after the light is radiated by the LED and reaches the lenses, the following processes occur:



### EXAMPLE:

After the light is radiated by the LED and reaches the lens, it occurs the following processes:



**Absorption:** The material that makes up the lens absorbs a small part of the light.

**Reflection:** The material constituting the lens reflects a small part of the light back onto the LED board.

**Transmission:** Most of the light radiated by the LED board is transmitted through the lens.

The above processes also occur on the display.

\*The transmission process does not occur in the light fixture body.

Thus, the effective luminous flux actually indicates the amount of light that the light fixture delivers to the environment, which is the correct parameter to be considered in the selection.

### NOTE:

**Wetzel LED** informs in its datasheets and catalogs the two luminous fluxes:

- **Nominal:** LED luminous flux
- **Effective:** light fixture luminous flux.





### LUMINOUS INTENSITY

This is the amount of light (luminous flux) radiated by a light source projected in a given direction.

**UNIT OF MEASUREMENT: CANDELA - cd**



### ILLUMINANCE

The light that a source radiates in relation to the surface on which it impinges is called the level of illumination or illuminance. That is, it is the relationship between the luminous flux (lm) that falls on a surface (m<sup>2</sup>) located at a certain distance from this source.

**UNIT OF MEASUREMENT: LUX (lm/m<sup>2</sup>) - lx**

Currently, many normative instructions determine the levels of illuminance required at specific stations and workstations. Thus, to ensure that these levels are met, it is recommended to carry out a lighting project.

#### NOTE:

**Wetzel LED** has a team of professionals trained to carry out this study.

- [More information on lighting projects from page 16.](#)



# CONCEPTS



## COLOR TEMPERATURE

The color shade of warm, neutral or cold light emitted by a light source is measured in Kelvin or abbreviated "K".

**Warm light** has yellowish appearance and low color temperature (up to 3300K).

The **neutral light**, called pure white, has shades between (3300K and 5300K).

**Cold light** has bluish appearance and high color temperature (above 5300K).

**UNIT OF MEASUREMENT: KELVIN - K**



## COLOR REPRODUCTION INDEX (IRC ou Ra)

It is the measure of correspondence between the actual color of an object and its appearance before a light source. That is, it is the fidelity of colors when illuminated by a certain light source, regardless of their color temperature.



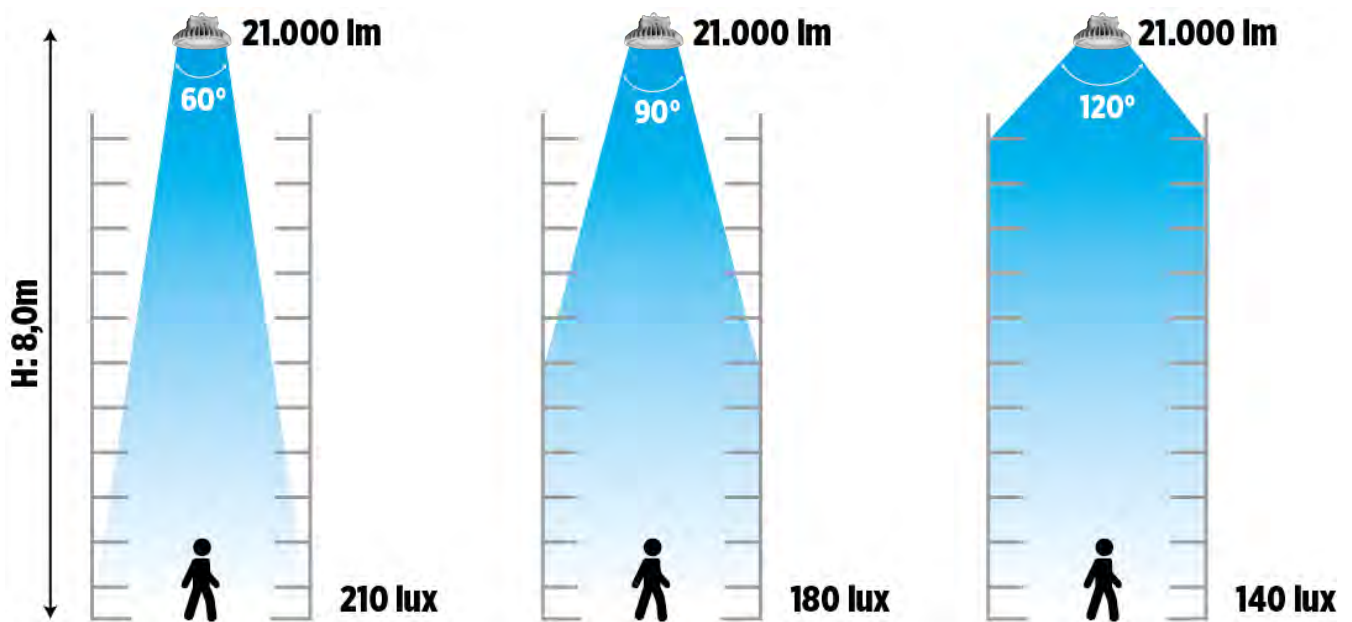
## OPTICS

Photometry maps the distribution of visible light intensity of a light fixture and determines its optical yield. Thus, understanding how the photometry of a light fixture works is fundamental for its good use.

The light beam or opening angle (expressed in degrees), is the distribution of the intensity of the light measured from its center (zero angle), where the intensity is maximum, until reaching 50% of the level of this intensity.

As in all cases related to lighting, the choice of the ideal light beam will depend on the type of environment being illuminated. Proper targeting of lighting improves light distribution and quality. Closer angles with high intensity, are typically used in environments with very high right feet and wider angles with low intensity, are most often used in environments with lower right feet.

### Importance of using a suitable lens:



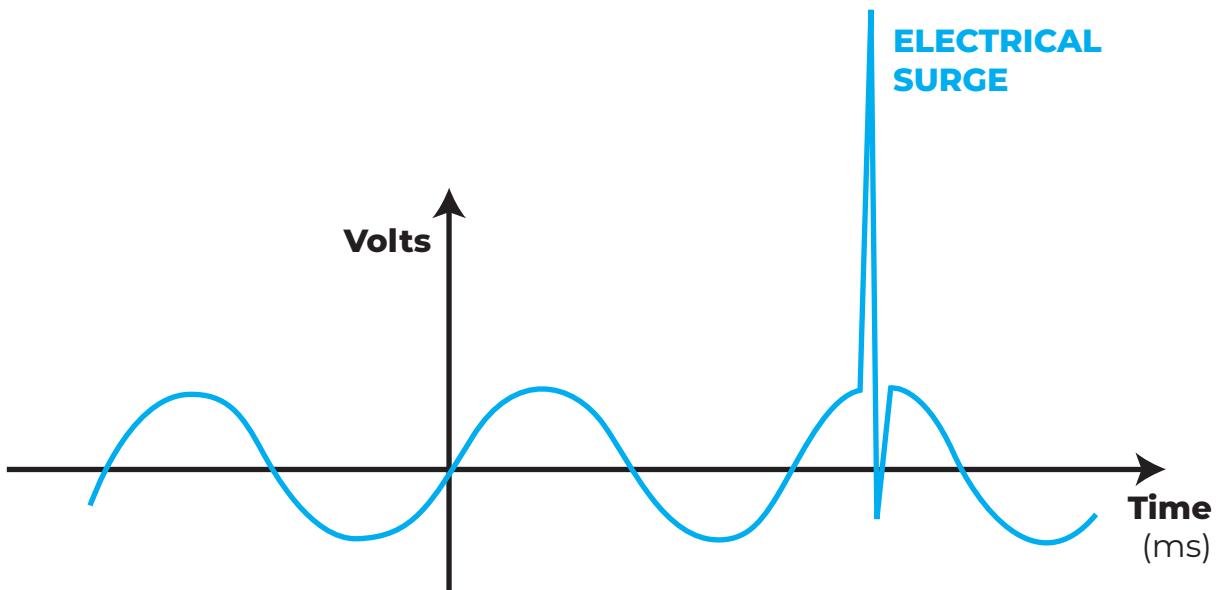
Results for illustrative purposes only.





## TRANSIENT OVERVOLTAGE (ELECTRICAL SURGE)

They are short-term voltage variations, usually milliseconds, according to the graphical demonstration presented below.



The electrical surge can be caused by lightning strikes, maintenance of networks, operational interruptions and switching of high power equipment (electric motors, welding machines, etc).

## SURGE SUPPRESSOR

They are devices intended for the protection of electronic appliances and equipment against transient overvoltages. Its function is to regulate the voltage supplied to an electrical device, which absorbs and directs these overvoltages to the ground.





### LIFECYCLE OF LED LIGHT FIXTURES

LED life expectancy certifications are procedures and methods determined by IESNA (Illuminating Engineering Society North America) made through tests and representations (LM-70, LM-79, LM-80).

These tests give rise to the results of the TM-21 procedure, which defines the depreciation of the luminous flux and the service life of the LED light fixtures.

**EXAMPLE:** Service life of 75,000h L70 indicates that after 75,000h of operation of the LED light fixture, the luminous flux will not be less than 70% of the initial one.

### POWER FACTOR - FP

The power factor is the ratio between active power (W) and apparent power (VA), being an index that varies from 0 to 1 and measures the quality of energy consumed by the load when the FP is closer to 1, the greater the use of energy by the load. The minimum power factor determined by ANEEL 456/2000 legislation for industries is 0,92.

### EFFECTS OF LOW POWER FACTOR

A low power factor demonstrates that the energy is being misused by the consumer unit and can bring the following risks and losses:

- **Voltage variations, which can cause burning of electrical equipment;**
- **Heated conductors;**
- **Power losses;**
- **Reduction in the use of transformer capacity;**
- **The lower the power factor, the more expensive the energy bill;**

It is very important that the loads (motors, light fixtures, etc.) installed have a power factor as close to 1. This implies a better use of grid energy, can generate cost reduction with electricity, avoids any corrections and fines resulting from the low power factor.





## PROTECTION RATING

The IP Protection Degree (ABNT NBR IEC 60529 Standard) of electrical equipment involves the construction measures applied to equipment enclosures in order to ensure protection against the ingress of dust and liquids inside. The information consists of two digits, where the first digit refers to the entry of solid objects or dust and the second digit refers to the entry of liquids inside.

THE CODE THAT DEFINES THE **IP DEGREE OF PROTECTION** IT CONSISTS OF **2 DIGITS**.



The **first digit** refers to protection against solid particles.



The **second digit** refers to protection against liquids.

**Note:** In the industry, understanding the degree of protection becomes fundamental, since certain existing processes can result in an extremely aggressive environment (with the presence of moisture/dust). Thus, the correct specification of equipment that provides the appropriate degree of protection will result in their proper functioning and increased service life.



# CONCEPTS

## SECOND DIGIT - DEGREE OF PROTECTION AGAINST LIQUIDS

Not protected	Protected against vertical drops of water	Protected against vertical drops of water up to a maximum slope of 15 degrees	Protected against water sprayed at an angle of $\pm 60$ degrees	Protected against water projections	Protected against powerful water jets	Protected against powerful water jets	Protected against temporary immersion	Protected against submersion	Protected against water jets with high pressure and temperature.
0	1	2	3	4	5	6	7	8	9



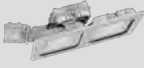

FIRST DIGIT - DEGREE OF PROTECTION AGAINST SOLIDS

No protected	0	IP00	IP01	IP02															
Protected against solids with $\varnothing$ greater than 50mm	1	IP10	IP11	IP12															
Protected against solids with $\varnothing$ greater than 12mm	2	IP20	IP21	IP22	IP23														
Protected against solids with $\varnothing$ greater than 2.5mm	3	IP30	IP31	IP32	IP33	IP34													
Protected against solids with $\varnothing$ greater than 1mm	4	IP40	IP41	IP42	IP43	IP44	IP45	IP46											
Protected against dust: 200mm water column Maximum air aspiration: 80 times the volume of the enclosure	5					IP54	IP55	IP56											
Fully protected against dust. Same test procedure	6						IP65	IP66	IP67	IP68	IP69								



## IP67 PROTECTION

Wetzel LED light fixtures can be ordered with IP67 protection. Check out the list of light fixtures available below:

APPLICATION					
MODELS					
<b>M01</b>					
	<b>10.000</b> <small>PAGE 36</small>	<b>8.000</b> <small>PAGE 42</small>	<b>6.000</b> <small>PAGE 48</small>	<b>4.000</b> <small>PAGE 54</small>	
	<b>M02</b>				
		<b>23.000</b> <small>PAGE 60</small>	<b>20.000</b> <small>PAGE 61</small>	<b>17.000</b> <small>PAGE 62</small>	

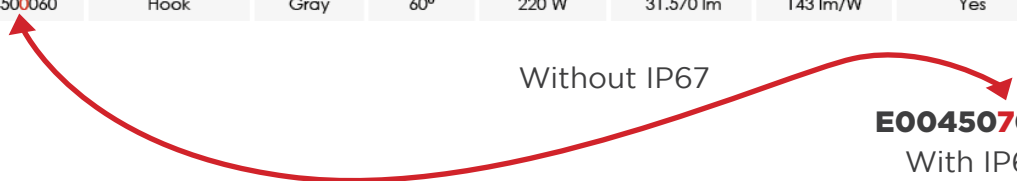
To request light fixtures with IP67 protection, it is necessary to change the 6th digit of the product code by the numeral 7.

Example below:

CODE	MODEL	COLOR	OPTICS	POWER	LUMINOUS FLUX	EFFICIENCY	SURGE SUPPRESSOR	PHOTOCELL
E004500060	Hook	Gray	60°	220 W	31.570 lm	143 lm/W	Yes	No

Without IP67

**E004507060**  
With IP67

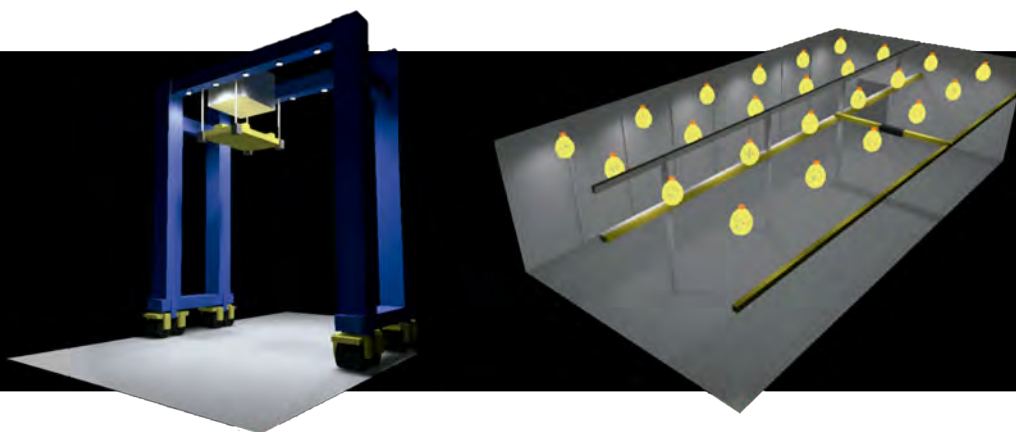




## LIGHTING PROJECT

The lighting design ensures that all specifications of LED light fixtures are carried out through specialized analysis. This generates more savings in electricity consumption and installation costs, ideal models and quantities of light fixtures are used for each type of application, avoids excess or lack of light, improves efficiency in operation and makes the illuminated environment more productive and safe to perform the work.

Wetzel LED has professionals specialized in lighting for internal and external service, assists in doubts, product specification and in carrying out projects that meet the needs of each company.



To prepare a lighting project, the intensity of light suitable for the environment and visual well-being are taken into account, based on:

- Technical standards applied to the type of operation;
- Architectural design;
- Distribution of objects;
- Power consumption and automation;
- Other particularities;

Everything is developed based on the needs of the environment and the result of the project will determine the number of points and the type of light fixture that will be used.



## ADVANTAGES OF A LIGHTING PROJECT



### SAVINGS AT INSTALLATION TIME

It is possible to estimate exactly the number of light fixtures that should be used in the environment. In addition, in cases of use of existing infrastructures, it is possible to optimize the project in order to avoid costs of structural changes and generate greater agility in execution.



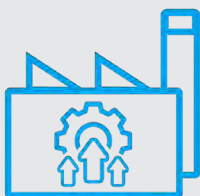
### SAFER ENVIRONMENTS

Ensures a lighted environment in accordance with customer guidelines or applicable technical standards, follows technical recommendations for optimal lighting efficiency, identifies the absence or excess of lighting, and maintains the environment visually safer and more comfortable.



### ENERGY EFFICIENCY

Led light fixtures are very efficient as they deliver a large amount of light while consuming little energy. As a result, the use of LED light fixtures in lighting projects can save up to 70% of energy compared to traditional solutions.



### SAFER MORE PRODUCTIVE

Improves efficiency in movement and operation, makes the illuminated environment more productive to perform the work with safety and well-being to avoid accidents and setbacks.

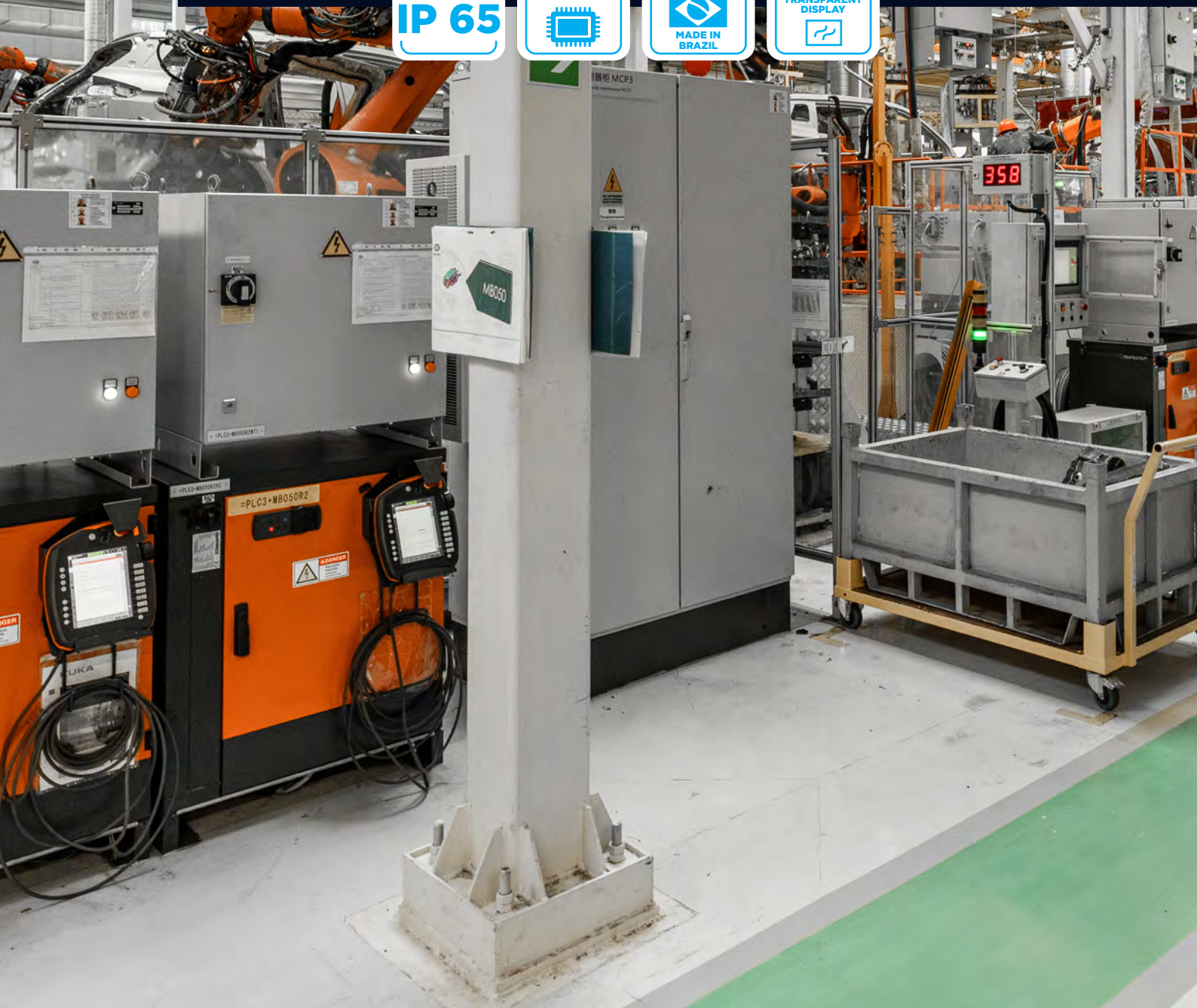
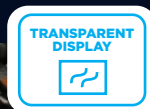
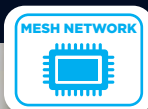
FOR **PROJECTS** FILL IN THE  
REQUESTS ON OUR **WEBSITE:**



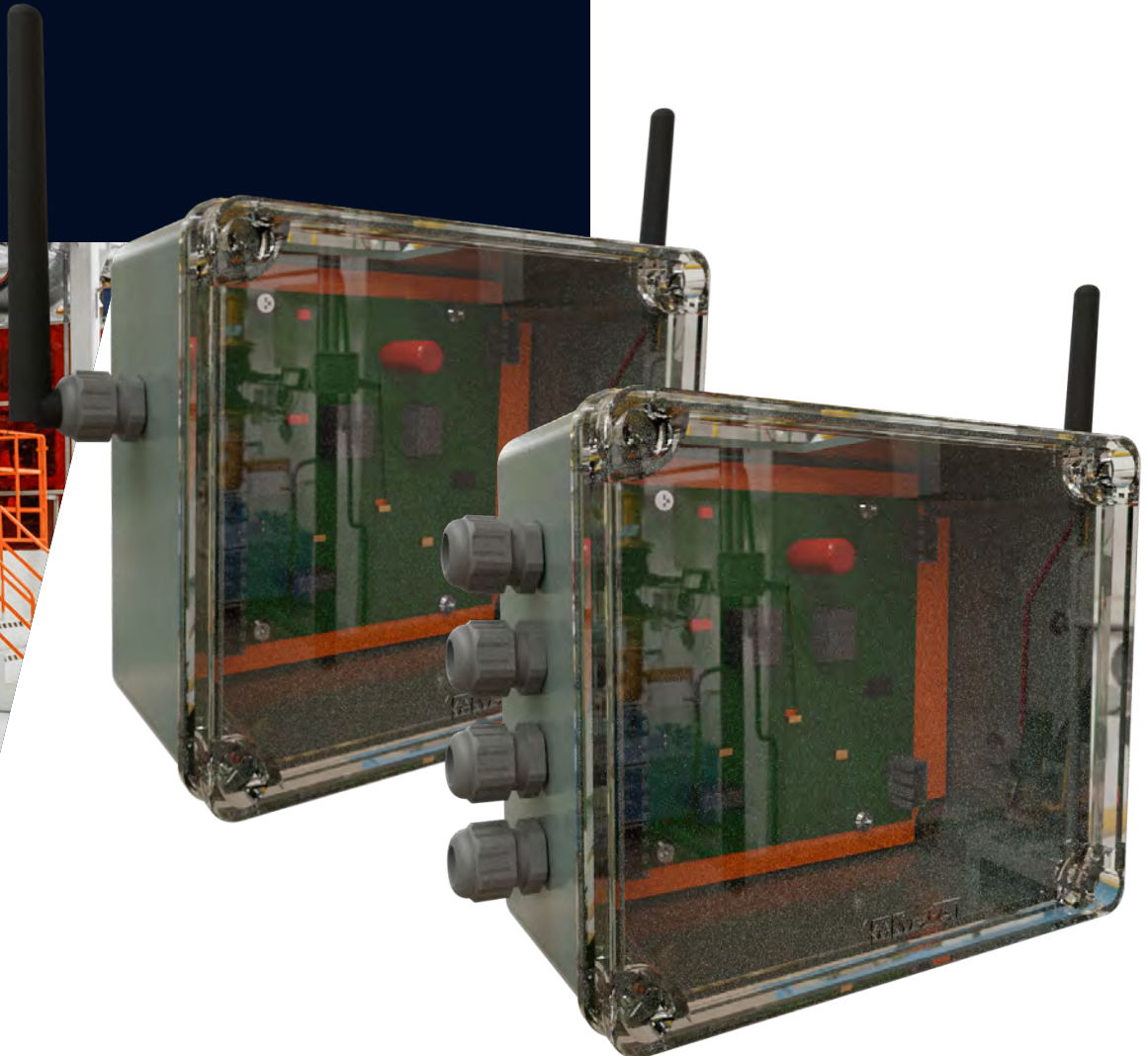


# WETZEL LIGHTING CONTROL

WLC







*Lighting control **in the palm of your hand***





## WETZEL LIGHTING CONTROL

Telemanagement and automotive system for lighting control developed with the best components and software. This system has manual and automatic power control (20-100%), group creation function, automatic control with light/presence sensor, general settings (name of light fixtures and groups, dimming speed) and wireless operation between device.

Wetzel Lighting Control is specially developed for **Wetzel LED** light fixtures with dimmable driver.

## COMPOSITION

### Controller device

- Can control 16 light fixtures simultaneously.

- It features a full-range power supply that is fully isolated for added user safety.

### Sensor device

·It has a presence and/or brightness sensor. The presence sensor has the function of detecting possible movements in the place, while the luminosity sensor detects the amount of illumination in the area. Both options are configured according to the needs of each customer.

### Wireless communication between devices

## SAFETY

Wetzel Lighting Control has the WPA2 security protocol, the same used in Wi-Fi networks. Its system works over a Meshnet, which contains its own network, without the need for an internet connection or a local network. In addition, the Meshnet allows for greater range of the coverage signal.

## BENEFITS

- The savings generated through efficient management and security are highlights of Wetzel Lighting Control.

- The lack of cables between devices facilitates and reduces installation costs.

- Only users who are inside the facilities where the devices are installed and who have login and password can access the network and give commands.

- Once set up, the system works automatically and decreases energy consumption as there is sunlight.





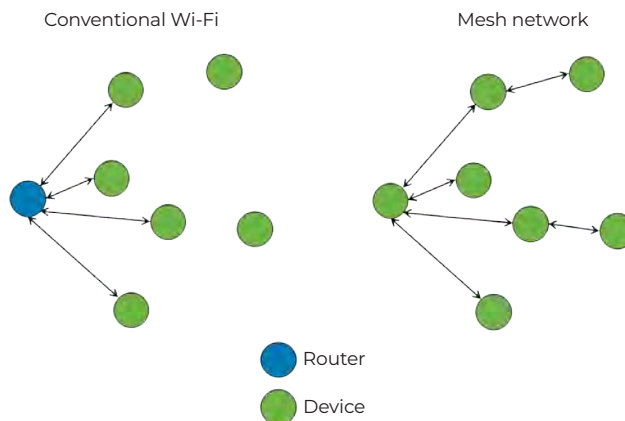
## APPLICATION

The app works via Wi-Fi connection and is available on the Android version. Through the application, it is possible to manually and automatically control the power (20-100%), create groups, control the light and presence sensors, general settings (name of the light fixtures, dimming speed and groups).

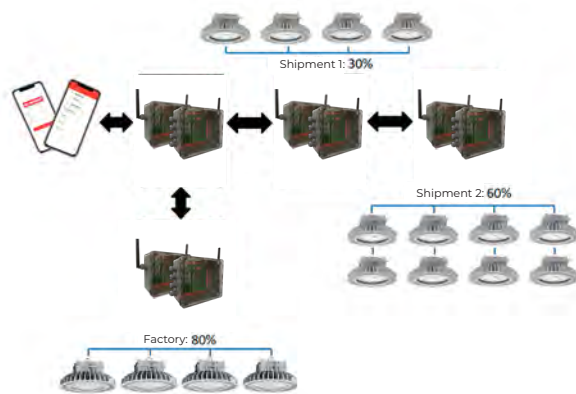


## MESH NETWORK

Network where devices connect to each other, to facilitate the increase of the reach area and also the installation and configuration of new devices. Meshnet works like conventional Wi-Fi, but in the case of Meshnet there is no need for a router.








## INSTALLATION EXAMPLE



## DIMERIZABLE

The Wetzel Lighting Control is only compatible with the lines of dimmable Wetzel led light fixtures as listed below:

APPLICATION			
MODELS			
<b>LI</b>	 32.000 <small>PAGE 26</small>	 23.000 <small>PAGE 30</small>	 17.000 <small>PAGE 32</small>
<b>M02</b>	 23.000 <small>PAGE 60</small>		
<b>M04</b>	 46.000 <small>PAGE 70</small>		

On the respective page of each model, the information below can be viewed in the top corner of the page:



**Note:** The light fixtures mentioned above, by default, **do not have** a dimmable driver.

To request one of the light fixtures above with dimmable driver, it is necessary to change the 6th digit of the product code by the numeral 1.

Example below:

CODE	MODEL	COLOR	OPTICS	POWER	LUMINOUS FLUX	EFFICIENCY	SURGE SUPPRESSOR	PHOTOCELL
E004500060	Hook	Gray	60°	220 W	31.570 lm	143 lm/W	Yes	No

Without dimmer driver

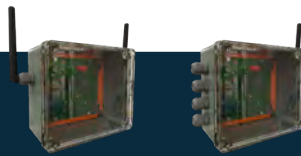
**E004501060**  
With dimmer driver

# WETZEL LIGHTING CONTROL

## Technical Characteristics



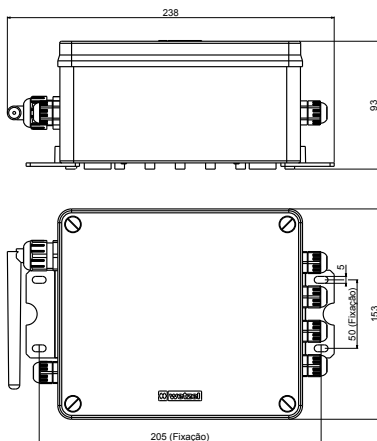
DISTANCE BETWEEN DEVICES AND LIGHT FIXTURES	UP TO 50m	OPERATING VOLTAGE	100~240 V
NUMBER OF LIGHT FIXTURES	16 LIGHT FIXTURES	INPUT FREQUENCY	50/60 Hz
		INPUT CURRENT	150 mA ±10%
		OUTPUT SIGNAL	PWM
		PROTECTION RATING	IP65
		APPLICATION TEMPERATURE	-30 A 50°C



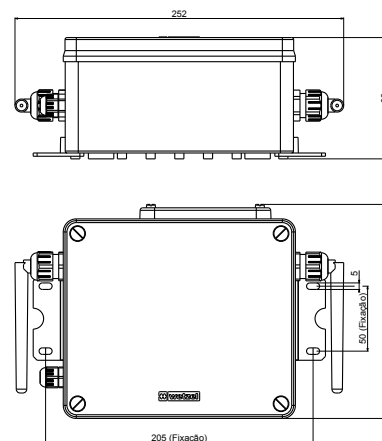
CODE	MODEL	COLOR	POWER	BRIGHTNESS SENSOR	PRESENCE SENSOR
E004570040	Light Fixture controller	Gray	15 W	No	No
E004570030	Brightness sensor	Gray	15 W	Yes	No
E004570020	Presence sensor	Gray	15 W	No	Yes
E004570010	Brightness sensor + Presence sensor	Gray	15 W	Yes	Yes

## TECHNICAL DRAWINGS WETZEL LIGHTING CONTROL

**MODEL CONTROLLER**



**MODEL SENSOR**

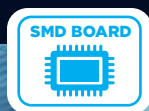






# INDUSTRIAL LIGHT FIXTURE ULTRA HIGHBAY

LI 32.000





**AVAILABLE COLORS:**

WHITE

GRAY

BLACK

• **Customizable Product** (colors, cabling, polycarbonate display, types of fixing, special screws, etc) on request.

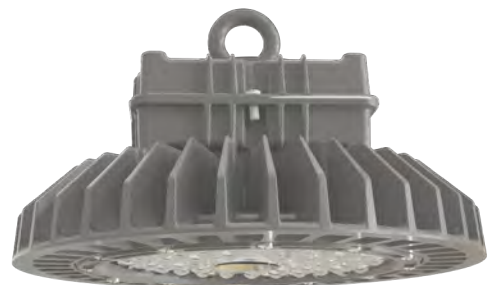


MODEL **HOOK**

- Light fixture with *high luminous flux*
- Cast *aluminum body*
- *Electrostatic powder coating*
- *Display/lenses in polycarbonate.*



MODEL **PENDANT**



MODEL **EYELET**

*Ideal for*



**INDUSTRIAL  
WAREHOUSES**



**REFRIGERATORS**



**SHEDS**



**METALLURGICAL**

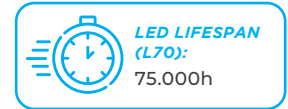
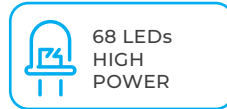
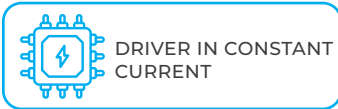


**CHEMICAL  
INDUSTRIES**

# INDUSTRIAL LIGHT FIXTURE ULTRA HIGHBAY - LI 32.000



## Technical Characteristics



LIGHT FIXTURE LUMINOUS POWER	31.570 lm $\pm 10\%$	OPERATING VOLTAGE	198~242 V
LED FLUX	35.080 lm $\pm 10\%$	INPUT FREQUENCY	50/60 Hz
EFFICIENCY	143 lm/W $\pm 10\%$	INPUT CURRENT	960 mA $\pm 10\%$
COLOR TEMPERATURE	5000 K	POWER FACTOR	0,99
LIGHT OPENING ANGLE	60° OU 90°	PROTECTION RATING	IP65
COLOR RENDERING INDEX (Ra)	>70	APPLICATION TEMPERATURE	-30 A 50°C
COLOR RENDERING INDEX (Ri)	65	SURGE SUPPRESSOR (8/20 $\mu$ s)	6 kA



### MODEL HOOK

CODE	MODEL	COLOR	OPTICS	POWER	LUMINOUS FLUX	EFFICIENCY	SURGE SUPPRESSOR	PHOTOCELL
E004500060	Hook	Gray	60°	220 W	31.570 lm	143 lm/W	Yes	No
E004500061	Hook	Black	60°	220 W	31.570 lm	143 lm/W	Yes	No
E004500062	Hook	White	60°	220 W	31.570 lm	143 lm/W	Yes	No
E004500050	Hook	Gray	90°	220 W	31.570 lm	143 lm/W	Yes	No
E004500051	Hook	Black	90°	220 W	31.570 lm	143 lm/W	Yes	No
E004500052	Hook	White	90°	220 W	31.570 lm	143 lm/W	Yes	No



### MODEL PENDANT

CODE	MODEL	COLOR	OPTICS	POWER	LUMINOUS FLUX	EFFICIENCY	SURGE SUPPRESSOR	PHOTOCELL
E004500160	Pendant	Gray	60°	220 W	31.570 lm	143 lm/W	Yes	No
E004500161	Pendant	Black	60°	220 W	31.570 lm	143 lm/W	Yes	No
E004500162	Pendant	White	60°	220 W	31.570 lm	143 lm/W	Yes	No
E004500150	Pendant	Gray	90°	220 W	31.570 lm	143 lm/W	Yes	No
E004500151	Pendant	Black	90°	220 W	31.570 lm	143 lm/W	Yes	No
E004500152	Pendant	White	90°	220 W	31.570 lm	143 lm/W	Yes	No

# INDUSTRIAL LIGHT FIXTURE ULTRA HIGHBAY - **LI 32.000**

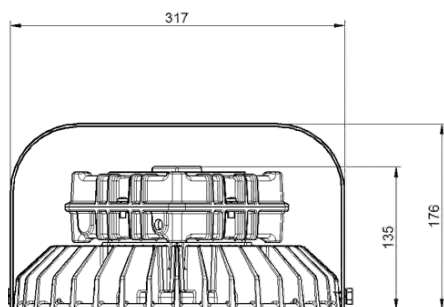


MODELO **EYELET**

CODE	MODEL	COLOR	OPTICS	POWER	LUMINOUS FLUX	EFFICIENCY	SURGE SUPPRESSOR	PHOTOCELL
E004500260	Eyelet	Gray	60°	220 W	31.570 lm	143 lm/W	Yes	No
E004500261	Eyelet	Black	60°	220 W	31.570 lm	143 lm/W	Yes	No
E004500262	Eyelet	White	60°	220 W	31.570 lm	143 lm/W	Yes	No
E004500250	Eyelet	Gray	90°	220 W	31.570 lm	143 lm/W	Yes	No
E004500251	Eyelet	Black	90°	220 W	31.570 lm	143 lm/W	Yes	No
E004500252	Eyelet	White	90°	220 W	31.570 lm	143 lm/W	Yes	No

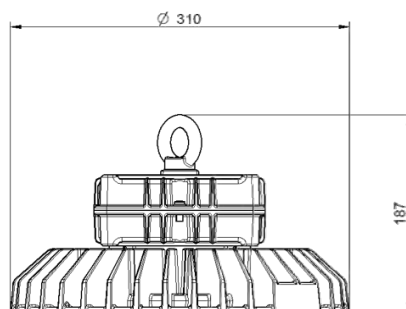
## TECHNICAL DRAWINGS ULTRA HIGHBAY LI **32.000**

MODELO **PENDANT**



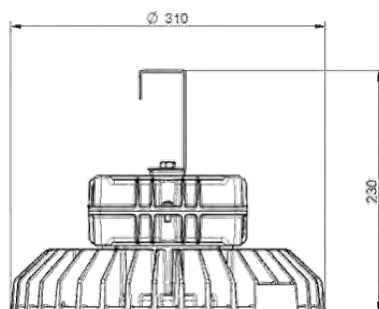
Unit of measurement (mm)

MODELO **EYELET**



Unit of measurement (mm)

MODELO **HOOK**



Unit of measurement (mm)



wetzel LED

# INDUSTRIAL LIGHT FIXTURE HIGHBAY

LI 23.000 • LI 17.000

IP 65

SMD BOARD

MADE IN  
BRAZIL

RESISTANCE  
IK08

DISPLAY  
PC







**AVAILABLE COLORS:**

WHITE

GRAY

BLACK

• **Customizable Product** (colors, cabling, glass display, fixing types, special screws, etc) on request.



MODEL **HOOK**

- *Light fixture with high luminous flux*
- *Cast aluminum body*
- *Electrostatic powder coating*
- *Polycarbonate visor/lenses.*



MODEL **PENDANT**



MODELO **EYLET**

*Ideal for*



**INDUSTRIAL  
WAREHOUSES**



**REFRIGERATORS**



**SHEDS**



**METALLURGICAL  
INDUSTRIES**

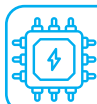


**CHEMICAL  
INDUSTRIES**

# INDUSTRIAL LIGHT FIXTURE HIGHBAY - LI 23.000



## Technical Characteristics



DRIVER IN CONSTANT CURRENT



WEIGHT:  
4.850g



48 HIGH POWER LEDs



POWER:  
160 W ±10%



LED LIFESPAN (L70):  
75.000h

LIGHT FIXTURE LUMINOUS POWER	23.160 lm ±10%	OPERATING VOLTAGE	198~242 V
LED FLUX	25.480 lm ±10%	INPUT FREQUENCY	50/60 Hz
EFFICIENCY	144 lm/W ±10%	INPUT CURRENT	756 mA ±10%
COLOR TEMPERATURE	5000 K	POWER FACTOR	0,98
LIGHT OPENING ANGLE	60° OU 90°	PROTECTION RATING	IP65
COLOR RENDERING INDEX (Ra)	>70	APPLICATION TEMPERATURE	-30 A 50°C
COLOR RENDERING INDEX (Ri)	65	SURGE SUPPRESSOR (8/20 μs)	6 kA



### MODEL HOOK

CODE	MODEL	COLOR	OPTICS	POWER	LUMINOUS FLUX	EFFICIENCY	SURGE SUPPRESSOR	PHOTOCELL
E004500040	Hook	Gray	60°	160 W	23.160 lm	144 lm/W	Yes	No
E004500041	Hook	Black	60°	160 W	23.160 lm	144 lm/W	Yes	No
E004500042	Hook	White	60°	160 W	23.160 lm	144 lm/W	Yes	No
E004500030	Hook	Gray	90°	160 W	23.160 lm	144 lm/W	Yes	No
E004500031	Hook	Black	90°	160 W	23.160 lm	144 lm/W	Yes	No
E004500032	Hook	White	90°	160 W	23.160 lm	144 lm/W	Yes	No



### MODEL PENDANT

CODE	MODEL	COLOR	OPTICS	POWER	LUMINOUS FLUX	EFFICIENCY	SURGE SUPPRESSOR	PHOTOCELL
E004500140	Pendant	Gray	60°	160 W	23.160 lm	144 lm/W	Yes	No
E004500141	Pendant	Black	60°	160 W	23.160 lm	144 lm/W	Yes	No
E004500142	Pendant	White	60°	160 W	23.160 lm	144 lm/W	Yes	No
E004500130	Pendant	Gray	90°	160 W	23.160 lm	144 lm/W	Yes	No
E004500131	Pendant	Black	90°	160 W	23.160 lm	144 lm/W	Yes	No
E004500132	Pendant	White	90°	160 W	23.160 lm	144 lm/W	Yes	No

# INDUSTRIAL LIGHT FIXTURE HIGHBAY - **LI 23.000**



## MODELO EYELET

CODE	MODEL	COLOR	OPTICS	POWER	LUMINOUS FLUX	EFFICIENCY	SURGE SUPPRESSOR	PHOTOCELL
E004500240	Eyelet	Gray	60°	160 W	23.160 lm	144 lm/W	Yes	No
E004500241	Eyelet	Black	60°	160 W	23.160 lm	144 lm/W	Yes	No
E004500242	Eyelet	White	60°	160 W	23.160 lm	144 lm/W	Yes	No
E004500230	Eyelet	Gray	90°	160 W	23.160 lm	144 lm/W	Yes	No
E004500231	Eyelet	Black	90°	160 W	23.160 lm	144 lm/W	Yes	No
E004500232	Eyelet	White	90°	160 W	23.160 lm	144 lm/W	Yes	No

*Protection against  
**dust** and **water jets**.*



# INDUSTRIAL LIGHT FIXTURE HIGHBAY - LI 17.000



## Technical Characteristics



DRIVER IN  
CONSTANT CURRENT



WEIGHT:  
4.850g



32 HIGH  
POWER  
LEDs



POWER:  
121 W ±10%



LED LIFESPAN  
(L70):  
75.000h

LIGHT FIXTURE LUMINOUS POWER	17.050 lm ±10%	OPERATING VOLTAGE	198~242 V
LED FLUX	18760 lm ±10%	INPUT FREQUENCY	50/60 Hz
EFFICIENCY	140 lm/W ±10%	INPUT CURRENT	567 mA ±10%
COLOR TEMPERATURE	5000 K	POWER FACTOR	0,97
LIGHT OPENING ANGLE	60° OU 90°	PROTECTION RATING	IP65
COLOR RENDERING INDEX (Ra)	>70	APPLICATION TEMPERATURE	-30 A 50°C
COLOR RENDERING INDEX (Ri)	65	SURGE SUPPRESSOR (8/20 μs)	6 kA



### MODEL HOOK

CODE	MODEL	COLOR	OPTICS	POWER	LUMINOUS FLUX	EFFICIENCY	SURGE SUPPRESSOR	PHOTOCELL
E004500080	Hook	Gray	60°	121 W	17.050 lm	140 lm/W	Yes	No
E004500081	Hook	Black	60°	121 W	17.050 lm	140 lm/W	Yes	No
E004500082	Hook	White	60°	121 W	17.050 lm	140 lm/W	Yes	No
E004500070	Hook	Gray	90°	121 W	17.050 lm	140 lm/W	Yes	No
E004500071	Hook	Black	90°	121 W	17.050 lm	140 lm/W	Yes	No
E004500072	Hook	White	90°	121 W	17.050 lm	140 lm/W	Yes	No



### MODEL PENDANT

CODE	MODEL	COLOR	OPTICS	POWER	LUMINOUS FLUX	EFFICIENCY	SURGE SUPPRESSOR	PHOTOCELL
E004500180	Pendant	Gray	60°	121 W	17.050 lm	140 lm/W	Yes	No
E004500181	Pendant	Black	60°	121 W	17.050 lm	140 lm/W	Yes	No
E004500182	Pendant	White	60°	121 W	17.050 lm	140 lm/W	Yes	No
E004500170	Pendant	Gray	90°	121 W	17.050 lm	140 lm/W	Yes	No
E004500171	Pendant	Black	90°	121 W	17.050 lm	140 lm/W	Yes	No
E004500172	Pendant	White	90°	121 W	17.050 lm	140 lm/W	Yes	No

# INDUSTRIAL LIGHT FIXTURE HIGHBAY - **LI 17.000**

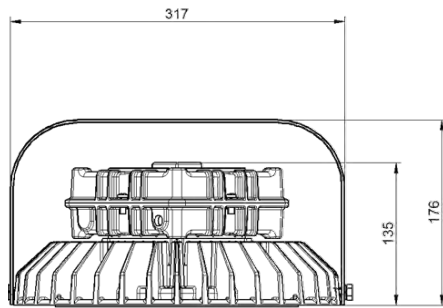


MODEL **EYELET**

CODE	MODEL	COLOR	OPTICS	POWER	LUMINOUS FLUX	EFFICIENCY	SURGE SUPPRESSOR	PHOTOCELL
E004500280	Eyelet	Gray	60°	121 W	17.050 lm	140 lm/W	Yes	No
E004500281	Eyelet	Black	60°	121 W	17.050 lm	140 lm/W	Yes	No
E004500282	Eyelet	White	60°	121 W	17.050 lm	140 lm/W	Yes	No
E004500270	Eyelet	Gray	90°	121 W	17.050 lm	140 lm/W	Yes	No
E004500271	Eyelet	Black	90°	121 W	17.050 lm	140 lm/W	Yes	No
E004500272	Eyelet	White	90°	121 W	17.050 lm	140 lm/W	Yes	No

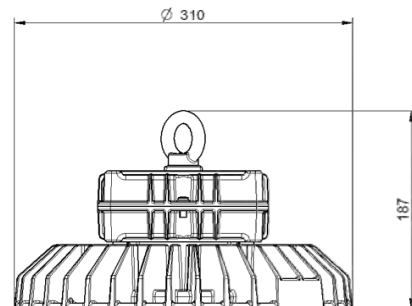
## TECHNICAL DRAWINGS HIGHBAY LI **23.000** - **17.000**

MODEL **PENDANT**



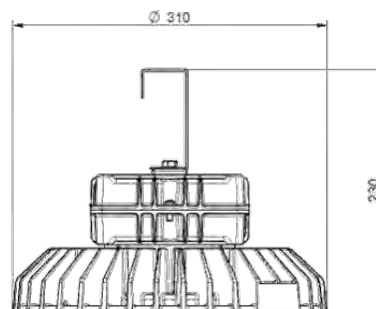
Unit of measurement (mm)

MODEL **EYELET**



Unit of measurement (mm)

MODEL **HOOK**



Unit of measurement (mm)





# INDUSTRIAL LIGHT FIXTURE MIDBAY M01

10.000

- IP 66
- SMD BOARD
- MADE IN BRAZIL
- RESISTANCE IK08
- DISPLAY PC





**AVAILABLE COLORS:**

- WHITE
- GRAY
- BLACK

• **Customizable Product** (colors, cabling, glass display, fixing types, special screws, etc) on request.



MODEL PENDANT

- *Light fixture with high luminous flux*
- *Injected aluminium body*
- *Electrostatic powder coating*
- *Visor/lenses polycarbonate.*



MODEL PROJECTOR



MODEL 45° SCENCE



MODEL ARTICULATED POST



MODEL EMBED

*Ideal para*



INDUSTRIAL WAREHOUSES



EXHIBITORS



STORAGE SHEDS



TUNNELS



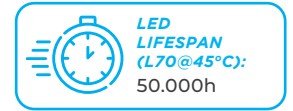
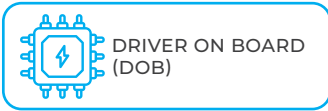
SQUARES



PARKING LOTS

# INDUSTRIAL LIGHT FIXTURE MIDBAY M01 - **10.000**

## Technical Characteristics



LIGHT FIXTURE LUMINOUS POWER	9.700 lm ±15%
LED FLUX	11.760 lm ±15%
EFFICIENCY	99 lm/W ±15%
COLOR TEMPERATURE	5000 K
LIGHT OPENING ANGLE	60° / 90° / 120°
COLOR RENDERING INDEX (Ra)	75
COLOR RENDERING INDEX (Ri)	65

OPERATING VOLTAGE	198-242 V
INPUT FREQUENCY	50/60 Hz
INPUT CURRENT	445 mA ±15%
POWER FACTOR	0,93
PROTECTION RATING	IP66
APPLICATION TEMPERATURE	-30 A 50°C
SURGE SUPPRESSOR (8/20 µs)	6 kA



## MODEL PROJECTOR

CODE	MODEL	COLOR	OPTICS	POWER	LUMINOUS FLUX	EFFICIENCY	SURGE SUPPRESSOR	PHOTOCELL
E004022490	Projector	Gray	60°	98 W	9.700 lm	99 lm/W	Yes	No
E004022500	Projector	White	60°	98 W	9.700 lm	99 lm/W	Yes	No
E004022510	Projector	Black	60°	98 W	9.700 lm	99 lm/W	Yes	No
E004022610	Projector	Gray	60°	98 W	9.700 lm	99 lm/W	Yes	Yes
E004022611	Projector	White	60°	98 W	9.700 lm	99 lm/W	Yes	Yes
E004022612	Projector	Black	60°	98 W	9.700 lm	99 lm/W	Yes	Yes
E004022430	Projector	Gray	90°	98 W	9.700 lm	99 lm/W	Yes	No
E004022440	Projector	White	90°	98 W	9.700 lm	99 lm/W	Yes	No
E004022450	Projector	Black	90°	98 W	9.700 lm	99 lm/W	Yes	No
E004022600	Projector	Gray	90°	98 W	9.700 lm	99 lm/W	Yes	Yes
E004022601	Projector	White	90°	98 W	9.700 lm	99 lm/W	Yes	Yes
E004022602	Projector	Black	90°	98 W	9.700 lm	99 lm/W	Yes	Yes
E004022550	Projector	Gray	120°	98 W	9.700 lm	99 lm/W	Yes	No
E004022560	Projector	White	120°	98 W	9.700 lm	99 lm/W	Yes	No
E004022570	Projector	Black	120°	98 W	9.700 lm	99 lm/W	Yes	No
E004022620	Projector	Gray	120°	98 W	9.700 lm	99 lm/W	Yes	Yes
E004022621	Projector	White	120°	98 W	9.700 lm	99 lm/W	Yes	Yes
E004022622	Projector	Black	120°	98 W	9.700 lm	99 lm/W	Yes	Yes

# INDUSTRIAL LIGHT FIXTURE

## MIDBAY M01 - **10.000**



### MODEL ARTICULATED POST

CODE	MODEL	COLOR	OPTICS	POWER	LUMINOUS FLUX	EFFICIENCY	SURGE SUPPRESSOR	PHOTOCELL
E004420400	Articulated Post	Gray	90°	98 W	9.700 lm	99 lm/W	Yes	No
E004420401	Articulated Post	White	90°	98 W	9.700 lm	99 lm/W	Yes	No
E004420402	Articulated Post	Black	90°	98 W	9.700 lm	99 lm/W	Yes	No
E004420420	Articulated Post	Gray	90°	98 W	9.700 lm	99 lm/W	Yes	Yes
E004420421	Articulated Post	White	90°	98 W	9.700 lm	99 lm/W	Yes	Yes
E004420422	Articulated Post	Black	90°	98 W	9.700 lm	99 lm/W	Yes	Yes
E004420410	Articulated Post	Gray	120°	98 W	9.700 lm	99 lm/W	Yes	No
E004420411	Articulated Post	White	120°	98 W	9.700 lm	99 lm/W	Yes	No
E004420412	Articulated Post	Black	120°	98 W	9.700 lm	99 lm/W	Yes	No
E004420430	Articulated Post	Gray	120°	98 W	9.700 lm	99 lm/W	Yes	Yes
E004420431	Articulated Post	White	120°	98 W	9.700 lm	99 lm/W	Yes	Yes
E004420432	Articulated Post	Black	120°	98 W	9.700 lm	99 lm/W	Yes	Yes



### MODEL PENDANT

CODE	MODEL	COLOR	OPTICS	POWER	LUMINOUS FLUX	EFFICIENCY	SURGE SUPPRESSOR	PHOTOCELL
E004022460	Pendant	Gray	60°	98 W	9.700 lm	99 lm/W	No	No
E004022470	Pendant	White	60°	98 W	9.700 lm	99 lm/W	No	No
E004022480	Pendant	Black	60°	98 W	9.700 lm	99 lm/W	No	No
E004022400	Pendant	Gray	90°	98 W	9.700 lm	99 lm/W	No	No
E004022410	Pendant	White	90°	98 W	9.700 lm	99 lm/W	No	No
E004022420	Pendant	Black	90°	98 W	9.700 lm	99 lm/W	No	No
E004022520	Pendant	Gray	120°	98 W	9.700 lm	99 lm/W	No	No
E004022530	Pendant	White	120°	98 W	9.700 lm	99 lm/W	No	No
E004022540	Pendant	Black	120°	98 W	9.700 lm	99 lm/W	No	No

# INDUSTRIAL LIGHT FIXTURE

## MIDBAY M01 - **10.000**



### MODEL 45° SCONCE

CODE	MODEL	COLOR	OPTICS	POWER	LUMINOUS FLUX	EFFICIENCY	SURGE SUPPRESSOR	PHOTOCELL
E004022630	Sconce 45°	Gray	90°	98 W	9.700 lm	99 lm/W	No	No
E004022631	Sconce 45°	White	90°	98 W	9.700 lm	99 lm/W	No	No
E004022632	Sconce 45°	Black	90°	98 W	9.700 lm	99 lm/W	No	No
E004022640	Sconce 45°	Gray	120°	98 W	9.700 lm	99 lm/W	No	No
E004022641	Sconce 45°	White	120°	98 W	9.700 lm	99 lm/W	No	No
E004022642	Sconce 45°	Black	120°	98 W	9.700 lm	99 lm/W	No	No



### MODEL EMBED

CODE	MODEL	COLOR	OPTICS	POWER	LUMINOUS FLUX	EFFICIENCY	SURGE SUPPRESSOR	PHOTOCELL
E004022651	Embed GS	White	90°	98 W	9.700 lm	99 lm/W	No	No
E004022661	Embed GS	White	120°	98 W	9.700 lm	99 lm/W	No	No
E004022650	Embed ESP	Gray	90°	98 W	9.700 lm	99 lm/W	No	No
E004022652	Embed ESP	White	90°	98 W	9.700 lm	99 lm/W	No	No
E004022660	Embed ESP	Cinza	120°	98 W	9.700 lm	99 lm/W	No	No
E004022662	Embed ESP	White	120°	98 W	9.700 lm	99 lm/W	No	No

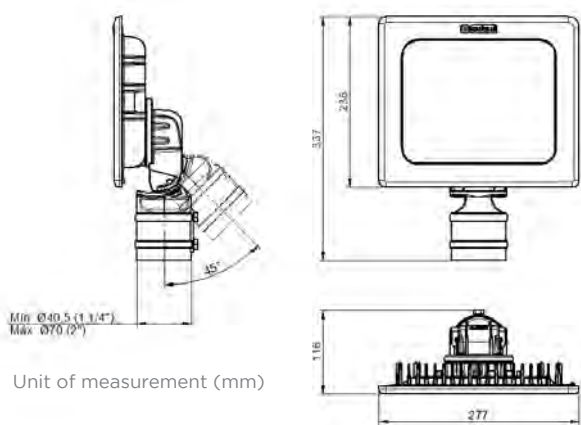
**GS** = Gas Station

**ESP** = Special without frame (On request)

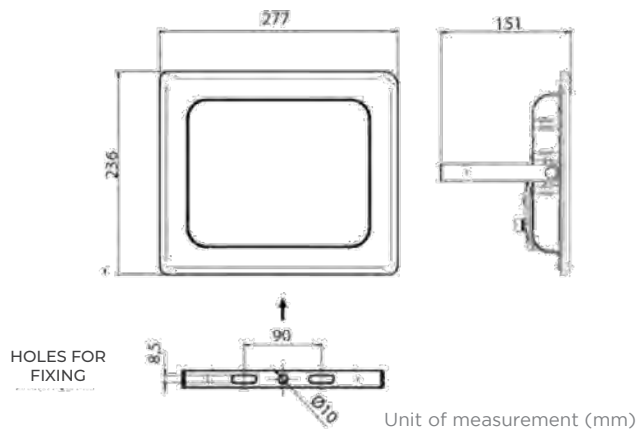




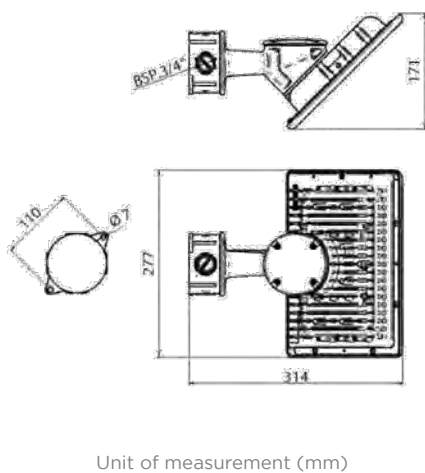
### MODEL ARTICULATED POST



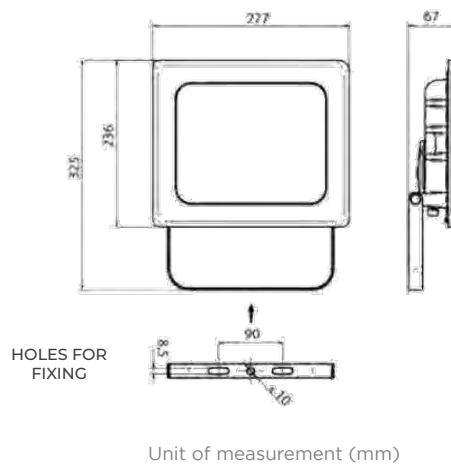
### MODEL PENDANT



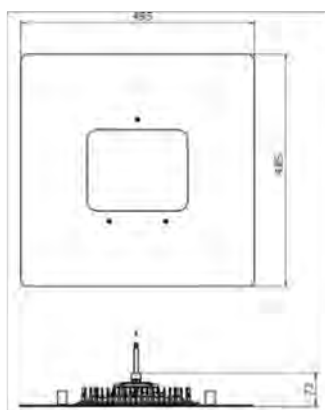
### MODEL 45° SCONCE



### MODEL PROJECTOR



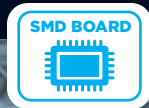
### MODEL EMBED





# INDUSTRIAL LIGHT FIXTURE MIDBAY M01

8.000







**AVAILABLE COLORS:**

WHITE

GRAY

BLACK

• **Customizable Product** (colors, cabling, glass display, fixing types, special screws, etc.) on request



- *Light fixture with high luminous flux*
- *Injected aluminium body*
- *Electrostatic powder coating*
- *Polycarbonate visor/lenses.*



MODEL PROJECTOR



MODEL 45° SCENCE



MODEL ARTICULATED POST



MODEL EMBED

*Ideal for*



INDUSTRIAL WAREHOUSES



EXHIBITORS



STORAGE SHEDS



TUNNELS



SQUARES



PARKING LOTS

# INDUSTRIAL LIGHT FIXTURE MIDBAY M01 - **8.000**

## Technical Characteristics



LIGHT FIXTURE LUMINOUS POWER	8.360 lm ±15%
LED FLUX	9.750 lm ±15%
EFFICIENCY	105 lm/W ±15%
COLOR TEMPERATURE	5000 K
LIGHT OPENING ANGLE	60° / 90° / 120°
COLOR RENDERING INDEX (Ra)	>70
COLOR RENDERING INDEX (Ri)	65

OPERATING VOLTAGE	198-242 V
INPUT FREQUENCY	50/60 Hz
INPUT CURRENT	363 mA ±15%
POWER FACTOR	0,94
PROTECTION RATING	IP66
APPLICATION TEMPERATURE	-30 A 50°C
SURGE SUPPRESSOR (8/20 μs)	6 kA



### MODEL PROJECTOR

CODE	MODEL	COLOR	OPTICS	POWER	LUMINOUS FLUX	EFFICIENCY	SURGE SUPPRESSOR	PHOTOCELL
E004022310	Projector	Gray	60°	80 W	8.360 lm	105 lm/W	Yes	No
E004022170	Projector	White	60°	80 W	8.360 lm	105 lm/W	Yes	No
E004022330	Projector	Black	60°	80 W	8.360 lm	105 lm/W	Yes	No
E004022315	Projector	Gray	60°	80 W	8.360 lm	105 lm/W	Yes	Yes
E004022325	Projector	White	60°	80 W	8.360 lm	105 lm/W	Yes	Yes
E004022335	Projector	Black	60°	80 W	8.360 lm	105 lm/W	Yes	Yes
E004022280	Projector	Gray	90°	80 W	8.360 lm	105 lm/W	Yes	No
E004022160	Projector	White	90°	80 W	8.360 lm	105 lm/W	Yes	No
E004022300	Projector	Black	90°	80 W	8.360 lm	105 lm/W	Yes	No
E004022285	Projector	Gray	90°	80 W	8.360 lm	105 lm/W	Yes	Yes
E004022295	Projector	White	90°	80 W	8.360 lm	105 lm/W	Yes	Yes
E004022305	Projector	Black	90°	80 W	8.360 lm	105 lm/W	Yes	Yes
E004022175	Projector	Gray	120°	80 W	8.360 lm	105 lm/W	Yes	No
E004022176	Projector	White	120°	80 W	8.360 lm	105 lm/W	Yes	No
E004022177	Projector	Black	120°	80 W	8.360 lm	105 lm/W	Yes	No
E004022286	Projector	Gray	120°	80 W	8.360 lm	105 lm/W	Yes	Yes
E004022287	Projector	White	120°	80 W	8.360 lm	105 lm/W	Yes	Yes
E004022289	Projector	Black	120°	80 W	8.360 lm	105 lm/W	Yes	Yes



# INDUSTRIAL LIGHT FIXTURE

## MIDBAY M01 - **8.000**



### MODEL ARTICULATED POST

CODE	MODEL	COLOR	OPTICS	POWER	LUMINOUS FLUX	EFFICIENCY	SURGE SUPPRESSOR	PHOTOCELL
E004420290	Articulated Post	Gray	90°	80 W	8.360 lm	105 lm/W	Yes	No
E004420294	Articulated Post	White	90°	80 W	8.360 lm	105 lm/W	Yes	No
E004420291	Articulated Post	Black	90°	80 W	8.360 lm	105 lm/W	Yes	No
E004420310	Articulated Post	Gray	90°	80 W	8.360 lm	105 lm/W	Yes	Yes
E004420312	Articulated Post	White	90°	80 W	8.360 lm	105 lm/W	Yes	Yes
E004420311	Articulated Post	Black	90°	80 W	8.360 lm	105 lm/W	Yes	Yes
E004420292	Articulated Post	Gray	120°	80 W	8.360 lm	105 lm/W	Yes	No
E004420297	Articulated Post	White	120°	80 W	8.360 lm	105 lm/W	Yes	No
E004420296	Articulated Post	Black	120°	80 W	8.360 lm	105 lm/W	Yes	No
E004420315	Articulated Post	Gray	120°	80 W	8.360 lm	105 lm/W	Yes	Yes
E004420317	Articulated Post	White	120°	80 W	8.360 lm	105 lm/W	Yes	Yes
E004420316	Articulated Post	Black	120°	80 W	8.360 lm	105 lm/W	Yes	Yes



### MODEL PENDANT

CODE	MODEL	COLOR	OPTICS	POWER	LUMINOUS FLUX	EFFICIENCY	SURGE SUPPRESSOR	PHOTOCELL
E004022250	Pendant	Gray	60°	80 W	8.360 lm	105 lm/W	No	No
E004022060	Pendant	White	60°	80 W	8.360 lm	105 lm/W	No	No
E004022270	Pendant	Black	60°	80 W	8.360 lm	105 lm/W	No	No
E004022200	Pendant	Gray	90°	80 W	8.360 lm	105 lm/W	No	No
E004022050	Pendant	White	90°	80 W	8.360 lm	105 lm/W	No	No
E004022240	Pendant	Black	90°	80 W	8.360 lm	105 lm/W	No	No
E004022165	Pendant	Gray	120°	80 W	8.360 lm	105 lm/W	No	No
E004022166	Pendant	White	120°	80 W	8.360 lm	105 lm/W	No	No
E004022167	Pendant	Black	120°	80 W	8.360 lm	105 lm/W	No	No

# INDUSTRIAL LIGHT FIXTURE

## MIDBAY M01 - **8.000**



### MODEL 45° SCONCE

CODE	MODEL	COLOR	OPTICS	POWER	LUMINOUS FLUX	EFFICIENCY	SURGE SUPPRESSOR	PHOTOCELL
E004022071	45° Sconce	Gray	90°	80 W	8.360 lm	105 lm/W	No	No
E004022296	45° Sconce	White	90°	80 W	8.360 lm	105 lm/W	No	No
E004022297	45° Sconce	Black	90°	80 W	8.360 lm	105 lm/W	No	No
E004022306	45° Sconce	Gray	120°	80 W	8.360 lm	105 lm/W	No	No
E004022307	45° Sconce	White	120°	80 W	8.360 lm	105 lm/W	No	No
E004022317	45° Sconce	Black	120°	80 W	8.360 lm	105 lm/W	No	No



### MODEL EMBED

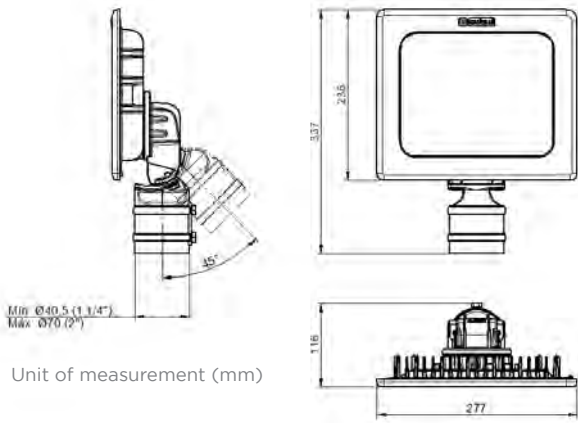
CODE	MODEL	COLOR	OPTICS	POWER	LUMINOUS FLUX	EFFICIENCY	SURGE SUPPRESSOR	PHOTOCELL
E004022111	Embed GS	White	90°	80 W	8.360 lm	105 lm/W	No	No
E004022337	Embed GS	White	120°	80 W	8.360 lm	105 lm/W	No	No
E004022326	Embed ESP	Gray	90°	80 W	8.360 lm	105 lm/W	No	No
E004022327	Embed ESP	White	90°	80 W	8.360 lm	105 lm/W	No	No
E004022336	Embed ESP	Gray	120°	80 W	8.360 lm	105 lm/W	No	No
E004022338	Embed ESP	White	120°	80 W	8.360 lm	105 lm/W	No	No

**GS** = Gas Station

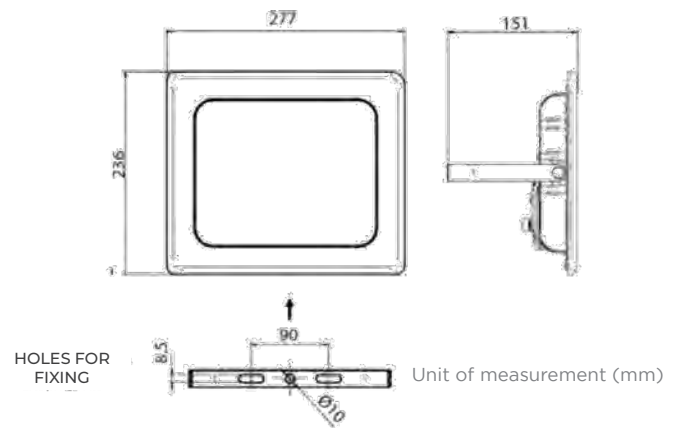
**ESP** = Special without frame (On request)



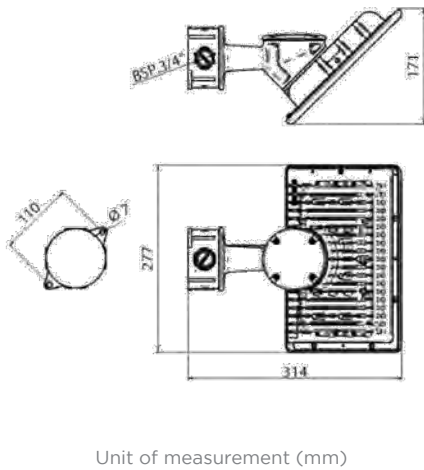
### MODELO ARTICULATED POST



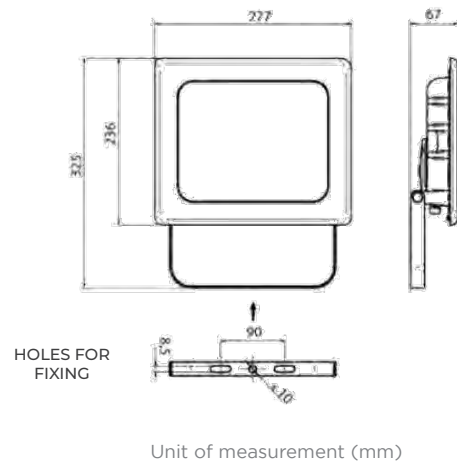
### MODELO PENDANT



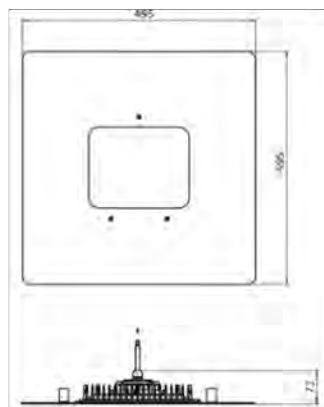
### MODELO 45° SCONCE



### MODELO PROJECTOR



### MODELO EMBED

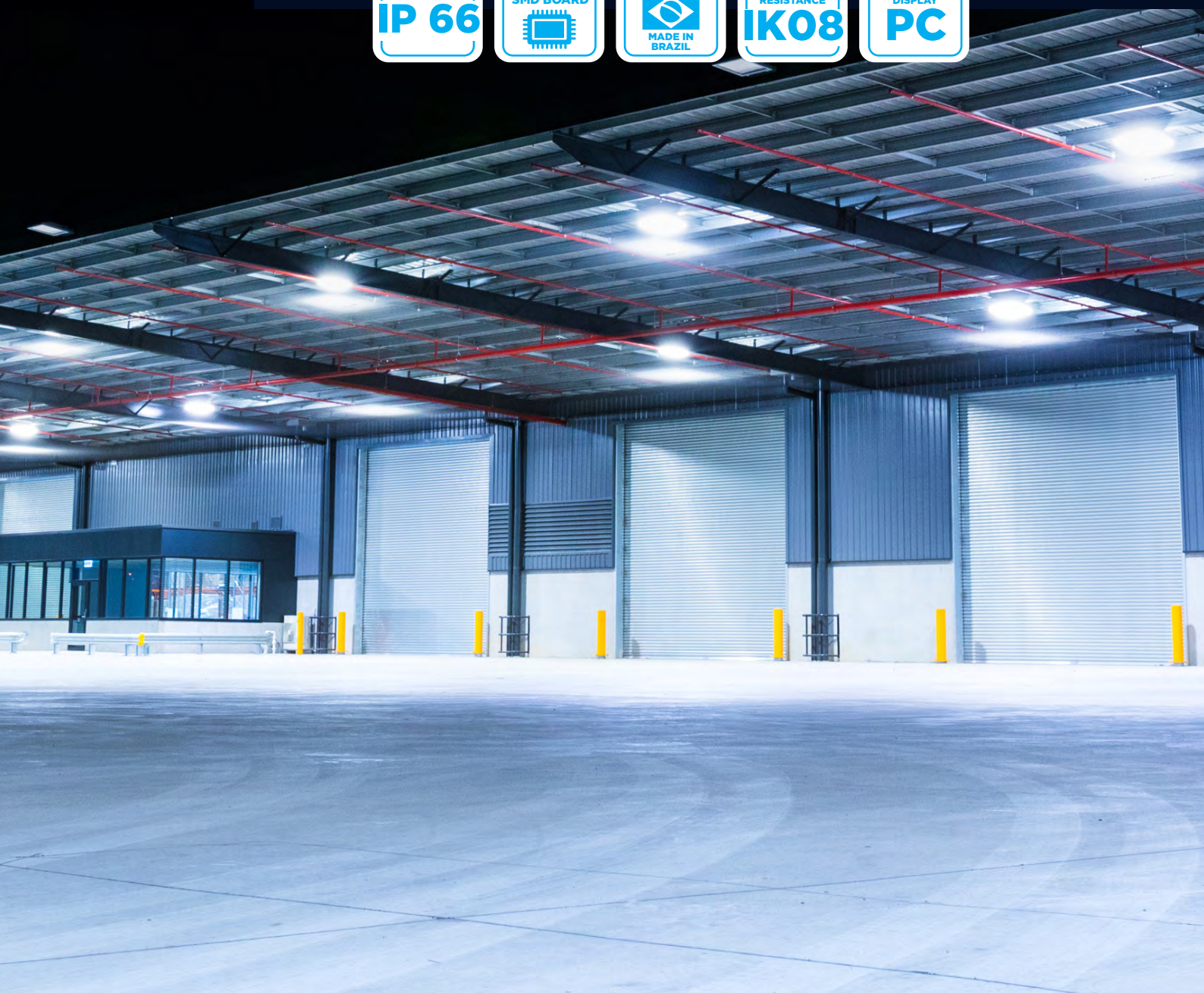
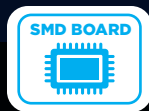


Unit of measurement (mm)



# INDUSTRIAL LIGHT FIXTURE MIDBAY M01

6.000







**AVAILABLE COLORS:**

WHITE

GRAY

BLACK

• Customizable Product (colors, cabling, glass display, fixing types, special screws, etc.) on request



MODELO PENDANT

- Light fixture with *high luminous flux*
- *Injected aluminium body*
- *Electrostatic powder coating*
- *Polycarbonate visor/lenses.*



MODEL PROJECTOR



MODEL 45° SCENCE



MODEL ARTICULATED POST



MODEL EMBED

*Ideal for*



INDUSTRIAL WAREHOUSES



EXHIBITORS



STORAGE SHEDS



TUNNELS



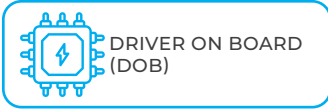
SQUARES



PARKING LOTS

# INDUSTRIAL LIGHT FIXTURE MIDBAY M01 - **6.000**

## Technical Characteristics



LIGHT FIXTURE LUMINOUS POWER	6.420 lm $\pm 10\%$	OPERATING VOLTAGE	198-242 V
LED FLUX	6.500 lm $\pm 10\%$	INPUT FREQUENCY	50/60 Hz
EFFICIENCY	107 lm/W $\pm 10\%$	INPUT CURRENT	276 mA $\pm 10\%$
COLOR TEMPERATURE	5000 K	POWER FACTOR	0.99
LIGHT OPENING ANGLE	60°/ 90°/120°	PROTECTION RATING	IP66
COLOR RENDERING INDEX (Ra)	75	APPLICATION TEMPERATURE	-30 A 50°C
COLOR RENDERING INDEX (Ri)	>65	SURGE SUPPRESSOR (8/20 $\mu$ s)	6 kA



## MODEL PROJECTOR

CODE	MODEL	COLOR	OPTICS	POWER	LUMINOUS FLUX	EFFICIENCY	SURGE SUPPRESSOR	PHOTOCELL
E004022100	Projector	Gray	60°	60 W	6.420 lm	107 lm/W	Yes	No
E004022150	Projector	White	60°	60 W	6.420 lm	107 lm/W	Yes	No
E004022130	Projector	Black	60°	60 W	6.420 lm	107 lm/W	Yes	No
E004022105	Projector	Gray	60°	60 W	6.420 lm	107 lm/W	Yes	Yes
E004022155	Projector	White	60°	60 W	6.420 lm	107 lm/W	Yes	Yes
E004022135	Projector	Black	60°	60 W	6.420 lm	107 lm/W	Yes	Yes
E004022090	Projector	Gray	90°	60 W	6.420 lm	107 lm/W	Yes	No
E004022140	Projector	White	90°	60 W	6.420 lm	107 lm/W	Yes	No
E004022120	Projector	Black	90°	60 W	6.420 lm	107 lm/W	Yes	No
E004022095	Projector	Gray	90°	60 W	6.420 lm	107 lm/W	Yes	Yes
E004022145	Projector	White	90°	60 W	6.420 lm	107 lm/W	Yes	Yes
E004022125	Projector	Black	90°	60 W	6.420 lm	107 lm/W	Yes	Yes
E004022101	Projector	Gray	120°	60 W	6.420 lm	107 lm/W	Yes	No
E004022102	Projector	White	120°	60 W	6.420 lm	107 lm/W	Yes	No
E004022103	Projector	Black	120°	60 W	6.420 lm	107 lm/W	Yes	No
E004022121	Projector	Gray	120°	60 W	6.420 lm	107 lm/W	Yes	Yes
E004022122	Projector	White	120°	60 W	6.420 lm	107 lm/W	Yes	Yes
E004022123	Projector	Black	120°	60 W	6.420 lm	107 lm/W	Yes	Yes

# INDUSTRIAL LIGHT FIXTURE MIDBAY M01 - 6.000



## MODELO ARTICULATED POST

CODE	MODEL	COLOR	OPTICS	POWER	LUMINOUS FLUX	EFFICIENCY	SURGE SUPPRESSOR	PHOTOCELL
E004420210	Poste Articulado	Gray	90°	60 W	6.420 lm	107 lm/W	No	No
E004420214	Poste Articulado	White	90°	60 W	6.420 lm	107 lm/W	No	No
E004420211	Poste Articulado	Black	90°	60 W	6.420 lm	107 lm/W	No	No
E004420250	Poste Articulado	Gray	90°	60 W	6.420 lm	107 lm/W	No	Yes
E004420253	Poste Articulado	White	90°	60 W	6.420 lm	107 lm/W	No	Yes
E004420251	Poste Articulado	Black	90°	60 W	6.420 lm	107 lm/W	No	Yes
E004420215	Poste Articulado	Gray	120°	60 W	6.420 lm	107 lm/W	No	No
E004420216	Poste Articulado	White	120°	60 W	6.420 lm	107 lm/W	No	No
E004420217	Poste Articulado	Black	120°	60 W	6.420 lm	107 lm/W	No	No
E004420255	Poste Articulado	Gray	120°	60 W	6.420 lm	107 lm/W	No	Yes
E004420256	Poste Articulado	White	120°	60 W	6.420 lm	107 lm/W	No	Yes
E004420257	Poste Articulado	Black	120°	60 W	6.420 lm	107 lm/W	No	Yes



## MODELO PENDANT

CODE	MODEL	COLOR	OPTICS	POWER	LUMINOUS FLUX	EFFICIENCY	SURGE SUPPRESSOR	PHOTOCELL
E004022040	Pendant	Gray	60°	60 W	6.420 lm	107 lm/W	No	No
E004022020	Pendant	White	60°	60 W	6.420 lm	107 lm/W	No	No
E004022190	Pendant	Black	60°	60 W	6.420 lm	107 lm/W	No	No
E004022030	Pendant	Gray	90°	60 W	6.420 lm	107 lm/W	No	No
E004022010	Pendant	White	90°	60 W	6.420 lm	107 lm/W	No	No
E004022180	Pendant	Black	90°	60 W	6.420 lm	107 lm/W	No	No
E004022045	Pendant	Gray	120°	60 W	6.420 lm	107 lm/W	No	No
E004022046	Pendant	White	120°	60 W	6.420 lm	107 lm/W	No	No
E004022047	Pendant	Black	120°	60 W	6.420 lm	107 lm/W	No	No

# INDUSTRIAL LIGHT FIXTURE

## MIDBAY M01 - **6.000**



### MODELO 45° SCONCE

CODE	MODEL	COLOR	OPTICS	POWER	LUMINOUS FLUX	EFFICIENCY	SURGE SUPPRESSOR	PHOTOCELL
E004022070	45° Sconce	Gray	90°	60 W	6.420 lm	107 lm/W	No	No
E004022072	45° Sconce	White	90°	60 W	6.420 lm	107 lm/W	No	No
E004022073	45° Sconce	Black	90°	60 W	6.420 lm	107 lm/W	No	No
E004022074	45° Sconce	Gray	120°	60 W	6.420 lm	107 lm/W	No	No
E004022075	45° Sconce	White	120°	60 W	6.420 lm	107 lm/W	No	No
E004022076	45° Sconce	Black	120°	60 W	6.420 lm	107 lm/W	No	No



### MODELO EMBED

CODE	MODEL	COLOR	OPTICS	POWER	LUMINOUS FLUX	EFFICIENCY	SURGE SUPPRESSOR	PHOTOCELL
E004022110	Embed GS	White	90°	60 W	6.420 lm	107 lm/W	No	No
E004022115	Embed GS	White	120°	60 W	6.420 lm	107 lm/W	No	No
E004022112	Embed ESP	Gray	90°	60 W	6.420 lm	107 lm/W	No	No
E004022113	Embed ESP	Black	90°	60 W	6.420 lm	107 lm/W	No	No
E004022114	Embed ESP	Gray	120°	60 W	6.420 lm	107 lm/W	No	No
E004022116	Embed ESP	Black	120°	60 W	6.420 lm	107 lm/W	No	No

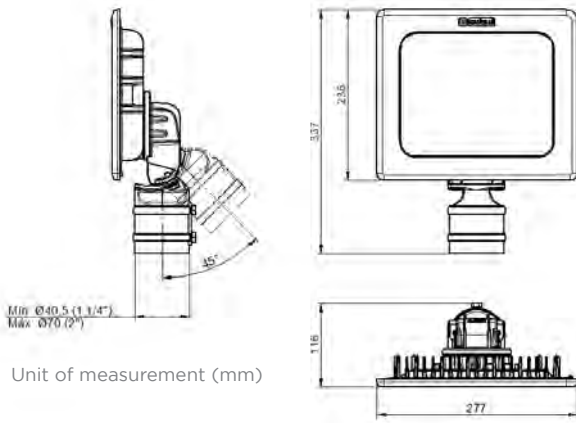
**GS** = Gas Station

**ESP** = Special without frame (On request)



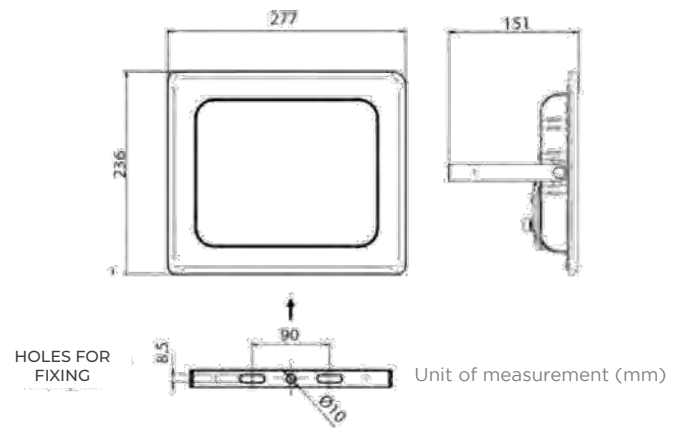


### MODEL ARTICULATED POST



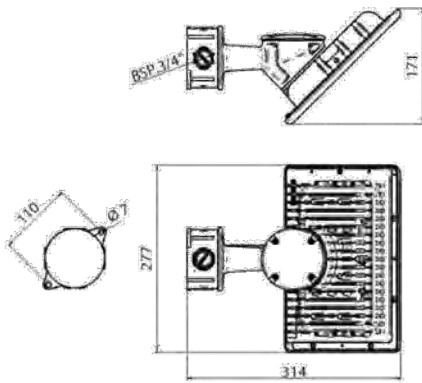
Unit of measurement (mm)

### MODEL PENDANT



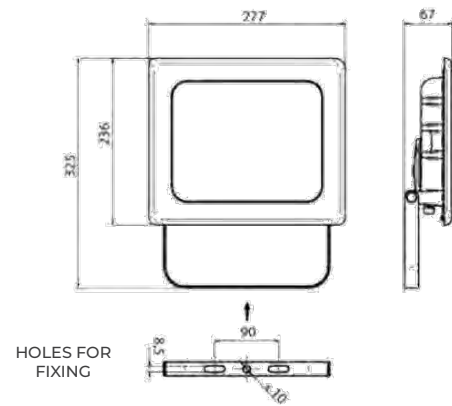
Unit of measurement (mm)

### MODEL 45° SCENCE



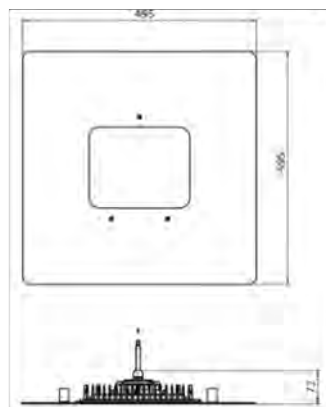
Unit of measurement (mm)

### MODEL PROJECTOR



Unit of measurement (mm)

### MODEL EMBED



Unit of measurement (mm)

wetzel LED

# INDUSTRIAL LIGHT FIXTURE LOWBAY M01

4.000

IP 66

SMD BOARD

MADE IN  
BRAZIL

RESISTANCE  
IK08

DISPLAY  
PC







**AVAILABLE COLORS:**

- WHITE
- GRAY
- BLACK

• Customizable Product (colors, cabling, glass display, fixing types, special screws, etc.) on request



MODELO PENDANT

- Light fixture with *high luminous flux*
- *Injected aluminium body*
- *Electrostatic powder coating*
- *Polycarbonate lenses*
- *Anti-glare display.*



MODEL PROJECTOR



MODEL 45° SCONCE



MODEL 45° SCONCE



MODEL ESP POST



MODEL EMBED

*Ideal for*



INDUSTRIAL WAREHOUSES



EXHIBITORS



STORAGE SHEDS



TUNNELS



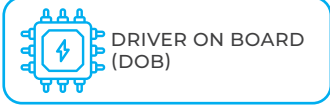
SQUARES



PARKING LOTS

# INDUSTRIAL LIGHT FIXTURE LOWBAY M01 - **4.000**

## Technical Characteristics



LIGHT FIXTURE LUMINOUS POWER	3.970 lm ±10%
LED FLUX	4.090 lm ±10%
EFFICIENCY	92 lm/W ±10%
COLOR TEMPERATURE	5000 K
LIGHT OPENING ANGLE	60°/ 90°/120°
COLOR RENDERING INDEX (Ra)	80
COLOR RENDERING INDEX (Ri)	>70

OPERATING VOLTAGE	198~242 V
INPUT FREQUENCY	50/60 Hz
INPUT CURRENT	198 mA
POWER FACTOR	0.99
PROTECTION RATING	IP66
APPLICATION TEMPERATURE	-30 A 50°C
SURGE SUPPRESSOR (8/20 μs)	6 kA



### MODEL PROJECTOR

CODE	MODEL	COLOR	OPTICS	POWER	LUMINOUS FLUX	EFFICIENCY	SURGE SUPPRESSOR	PHOTOCELL
E004023060	Projector	Gray	60°	43 W	3.970 lm	92 lm/W	Yes	No
E004023061	Projector	White	60°	43 W	3.970 lm	92 lm/W	Yes	No
E004023080	Projector	Black	60°	43 W	3.970 lm	92 lm/W	Yes	No
E004023120	Projector	Gray	60°	43 W	3.970 lm	92 lm/W	Yes	Yes
E004023121	Projector	White	60°	43 W	3.970 lm	92 lm/W	Yes	Yes
E004023122	Projector	Black	60°	43 W	3.970 lm	92 lm/W	Yes	Yes
E004023050	Projector	Gray	90°	43 W	3.970 lm	92 lm/W	Yes	No
E004023051	Projector	White	90°	43 W	3.970 lm	92 lm/W	Yes	No
E004023070	Projector	Black	90°	43 W	3.970 lm	92 lm/W	Yes	No
E004023110	Projector	Gray	90°	43 W	3.970 lm	92 lm/W	Yes	Yes
E004023111	Projector	White	90°	43 W	3.970 lm	92 lm/W	Yes	Yes
E004023112	Projector	Black	90°	43 W	3.970 lm	92 lm/W	Yes	Yes
E004023100	Projector	Gray	120°	43 W	3.970 lm	92 lm/W	Yes	No
E004023101	Projector	White	120°	43 W	3.970 lm	92 lm/W	Yes	No
E004023102	Projector	Black	120°	43 W	3.970 lm	92 lm/W	Yes	No
E004023130	Projector	Gray	120°	43 W	3.970 lm	92 lm/W	Yes	Yes
E004023131	Projector	White	120°	43 W	3.970 lm	92 lm/W	Yes	Yes
E004023132	Projector	Black	120°	43 W	3.970 lm	92 lm/W	Yes	Yes



# INDUSTRIAL LIGHT FIXTURE

## LOWBAY M01 - **4.000**



### MODEL ESP POST

CODE	MODEL	COLOR	OPTICS	POWER	LUMINOUS FLUX	EFFICIENCY	SURGE SUPPRESSOR	PHOTOCELL
E004023180	ESP Post	Gray	120°	43 W	3.970 lm	92 lm/W	No	No



### MODEL PENDANT

CODE	MODEL	COLOR	OPTICS	POWER	LUMINOUS FLUX	EFFICIENCY	SURGE SUPPRESSOR	PHOTOCELL
E004023040	Pendant	Gray	60°	43 W	3.970 lm	92 lm/W	No	No
E004023020	Pendant	White	60°	43 W	3.970 lm	92 lm/W	No	No
E004023041	Pendant	Black	60°	43 W	3.970 lm	92 lm/W	No	No
E004023030	Pendant	Gray	90°	43 W	3.970 lm	92 lm/W	No	No
E004023010	Pendant	White	90°	43 W	3.970 lm	92 lm/W	No	No
E004023031	Pendant	Black	90°	43 W	3.970 lm	92 lm/W	No	No
E004023090	Pendant	Gray	120°	43 W	3.970 lm	92 lm/W	No	No
E004023091	Pendant	White	120°	43 W	3.970 lm	92 lm/W	No	No
E004023092	Pendant	Black	120°	43 W	3.970 lm	92 lm/W	No	No



### MODEL 45° SCONCE

CODE	MODEL	COLOR	OPTICS	POWER	LUMINOUS FLUX	EFFICIENCY	SURGE SUPPRESSOR	PHOTOCELL
E004023140	45° Sconce	Gray	90°	43 W	3.970 lm	92 lm/W	No	No
E004023141	45° Sconce	White	90°	43 W	3.970 lm	92 lm/W	No	No
E004023142	45° Sconce	Black	90°	43 W	3.970 lm	92 lm/W	No	No
E004023150	45° Sconce	Gray	120°	43 W	3.970 lm	92 lm/W	No	No
E004023151	45° Sconce	White	120°	43 W	3.970 lm	92 lm/W	No	No
E004023152	45° Sconce	Black	120°	43 W	3.970 lm	92 lm/W	No	No

# INDUSTRIAL LIGHT FIXTURE

## LOWBAY M01 - **4.000**



### MODEL 90° SCONCE

CODE	MODEL	COLOR	OPTICS	POWER	LUMINOUS FLUX	EFFICIENCY	SURGE SUPPRESSOR	PHOTOCELL
E004023155	90° Sconce	Gray	120°	43 W	3.970 lm	92 lm/W	No	No
E004023156	90° Sconce	White	120°	43 W	3.970 lm	92 lm/W	No	No
E004023157	90° Sconce	Black	120°	43 W	3.970 lm	92 lm/W	No	No



### MODEL EMBED

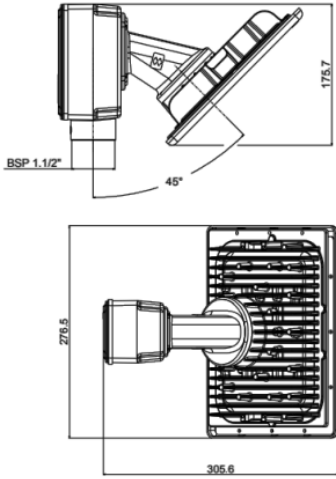
CODE	MODEL	COLOR	OPTICS	POWER	LUMINOUS FLUX	EFFICIENCY	SURGE SUPPRESSOR	PHOTOCELL
E004023161	Embutir GS	White	90°	43 W	3.970 lm	92 lm/W	No	No
E004023171	Embutir GS	White	120°	43 W	3.970 lm	92 lm/W	No	No
E004023160	Embutir ESP	Gray	90°	43 W	3.970 lm	92 lm/W	No	No
E004023162	Embutir ESP	White	90°	43 W	3.970 lm	92 lm/W	No	No
E004023170	Embutir ESP	Gray	120°	43 W	3.970 lm	92 lm/W	No	No
E004023172	Embutir ESP	White	120°	43 W	3.970 lm	92 lm/W	No	No

**GS** = Gas Station

**ESP** = Special without frame (On request)

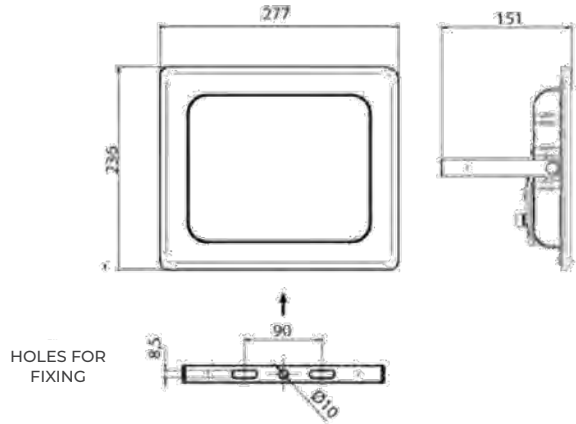


### MODELO ESP POST



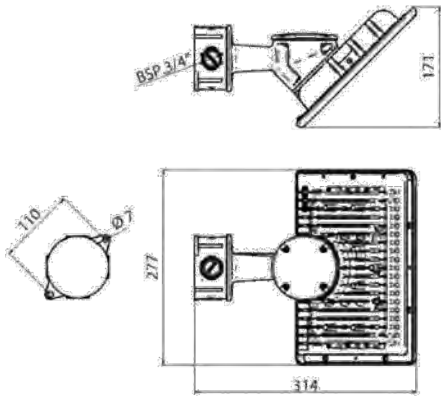
Unit of measurement (mm)

### MODELO PENDANT



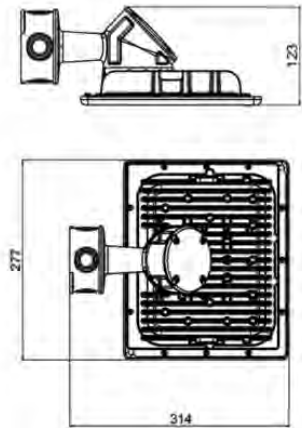
Unit of measurement (mm)

### MODELO 45° SCONCE



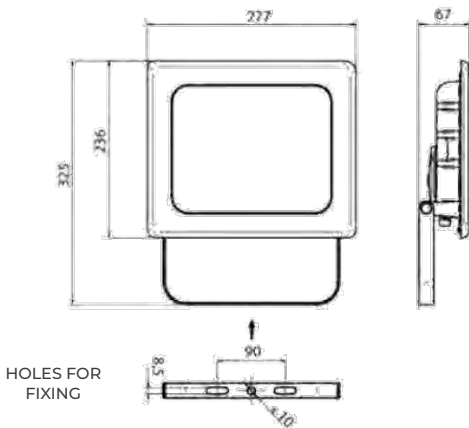
Unit of measurement (mm)

### MODELO 90° SCONCE



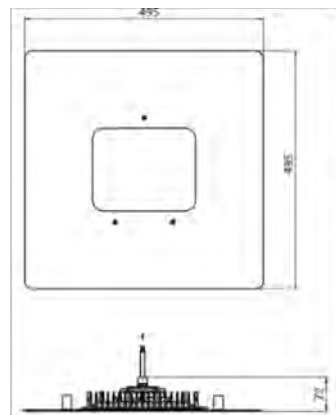
Unit of measurement (mm)

### MODELO PROJECTOR



Unit of measurement (mm)

### MODELO EMBED

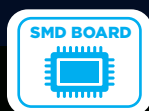


Unit of measurement (mm)

wetzel LED

LIGHT FIXTURE  
**HIGHBAY M02**

23.000 • 20.000 • 17.000





## AVAILABLE COLORS:

GRAY

BLACK

• **Customizable Product** (colors, cabling, glass display, fixing types, special screws, etc.) on request.



MODEL  
ARTICULATED POST

- *Light fixture with high luminous flux*
- *Injected aluminium body*
- *Electrostatic powder coating*
- *Polycarbonate visor/lenses.*



MODELO PENDANT



MODELO PROJECTOR

*Ideal para*



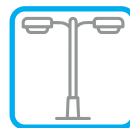
INDUSTRIAL  
WAREHOUSES



EXTERNAL  
CONDOMINIUM



STORAGE  
SHEDS



LIGHT POSTS



FACADES



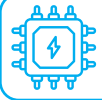
PARKING

# LIGHT FIXTURE HIGHBAY M02 - 23.000

Light fixture with possibility of  
**Dimming**



## Technical Characteristics



DRIVER IN CONSTANT CURRENT



WEIGHT:  
7.100g



48 HIGH POWER LEDs



POWER:  
160 W  $\pm$ 10%



LED LIFESPAN (L70):  
50.000h

LIGHT FIXTURE LUMINOUS POWER	22.775 lm $\pm$ 10%	OPERATING VOLTAGE	198~242 V
LED FLUX	23.774 lm $\pm$ 10%	INPUT FREQUENCY	50/60 Hz
EFFICIENCY	135 lm/W $\pm$ 10%	INPUT CURRENT	777 mA $\pm$ 10%
COLOR TEMPERATURE	5000 K	POWER FACTOR	0.98
LIGHT OPENING ANGLE	60° / 90° / 120°	PROTECTION RATING	IP66
COLOR RENDERING INDEX (Ra)	>70	APPLICATION TEMPERATURE	-30 A 50°C
COLOR RENDERING INDEX (Ri)	65	SURGE SUPPRESSOR (8/20 $\mu$ s)	3,5 kA



### MODEL ARTICULATED POST

CODE	MODEL	COLOR	OPTICS	POWER	LUMINOUS FLUX	EFFICIENCY	SURGE SUPPRESSOR	PHOTOCELL
E004430150	Post	Gray	90°	160 W	22.775 lm	135 lm/W	Yes	No
E004430151	Post	Gray	120°	160 W	22.775 lm	135 lm/W	Yes	No



### MODEL PROJECTOR

CODE	MODEL	COLOR	OPTICS	POWER	LUMINOUS FLUX	EFFICIENCY	SURGE SUPPRESSOR	PHOTOCELL
E004430440	Projector	Gray	90°	160 W	22.775 lm	135 lm/W	Yes	No
E004430450	Projector	Gray	120°	160 W	22.775 lm	135 lm/W	Yes	No



### MODEL PENDANT

CODE	MODEL	COLOR	OPTICS	POWER	LUMINOUS FLUX	EFFICIENCY	SURGE SUPPRESSOR	PHOTOCELL
E004430410	Pendant	Gray	90°	160 W	22.775 lm	135 lm/W	Yes	No
E004430420	Pendant	Gray	120°	160 W	22.775 lm	135 lm/W	Yes	No

# LIGHT FIXTURE HIGHBAY M02 - **20.000**



## Technical Characteristics

**DRIVER ONBOARD (DOB)**

**WEIGHT:**  
5.650g

**48 LEDs  
HIGH  
POWER**

**POWER:**  
197 W ±10%

**LED LIFESPAN  
(L70@45°C):**  
50.000h

LIGHT FIXTURE LUMINOUS POWER	19.400 lm ±10%
LED FLUX	23.520 lm ±10%
EFFICIENCY	98 lm/W ±10%
COLOR TEMPERATURE	5000 K
LIGHT OPENING ANGLE	60° / 90° / 120°
COLOR RENDERING INDEX (Ra)	75
COLOR RENDERING INDEX (Ri)	>65

OPERATING VOLTAGE	198~242 V
INPUT FREQUENCY	50/60 Hz
INPUT CURRENT	960 mA
POWER FACTOR	0.93
PROTECTION RATING	IP66
APPLICATION TEMPERATURE	-30 A 50°C
SURGE SUPPRESSOR (8/20 µs)	6 kA



### MODEL ARTICULATED POST

CODE	MODEL	COLOR	OPTICS	POWER	LUMINOUS FLUX	EFFICIENCY	SURGE SUPPRESSOR	PHOTOCELL
E004430130	Articulated Post	Gray	60°	197 W	19.400 lm	98 lm/W	Yes	No
E004430131	Articulated Post	Black	60°	197 W	19.400 lm	98 lm/W	Yes	No
E004430140	Articulated Post	Gray	60°	197 W	19.400 lm	98 lm/W	Yes	Yes
E004430141	Articulated Post	Black	60°	197 W	19.400 lm	98 lm/W	Yes	Yes
E004430090	Articulated Post	Gray	90°	197 W	19.400 lm	98 lm/W	Yes	No
E004430091	Articulated Post	Black	90°	197 W	19.400 lm	98 lm/W	Yes	No
E004430110	Articulated Post	Gray	90°	197 W	19.400 lm	98 lm/W	Yes	Yes
E004430111	Articulated Post	Black	90°	197 W	19.400 lm	98 lm/W	Yes	Yes
E004430095	Articulated Post	Gray	120°	197 W	19.400 lm	98 lm/W	Yes	No
E004430096	Articulated Post	Black	120°	197 W	19.400 lm	98 lm/W	Yes	No
E004430115	Articulated Post	Gray	120°	197 W	19.400 lm	98 lm/W	Yes	Yes



### MODEL PROJECTOR

CODE	MODEL	COLOR	OPTICS	POWER	LUMINOUS FLUX	EFFICIENCY	SURGE SUPPRESSOR	PHOTOCELL
E004430300	Projector	Gray	90°	197 W	19.400 lm	98 lm/W	Yes	No
E004430310	Projector	Gray	120°	197 W	19.400 lm	98 lm/W	Yes	No




### MODEL PENDANT

CODE	MODEL	COLOR	OPTICS	POWER	LUMINOUS FLUX	EFFICIENCY	SURGE SUPPRESSOR	PHOTOCELL
E004430320	Pendant	Gray	90°	197 W	19.400 lm	98 lm/W	Yes	No
E004430330	Pendant	Gray	120°	197 W	19.400 lm	98 lm/W	Yes	No

# LIGHT FIXTURE HIGHBAY M02 - 17.000



## Technical Characteristics



**DRIVER ON BOARD (DOB)**



**WEIGHT:**  
5.650g



**48 HIGH POWER LEDs**



**POWER:**  
160W ±15%



**LED LIFESPAN (L70@45°C):**  
50.000h

LIGHT FIXTURE LUMINOUS POWER	16.720 lm ±15%	OPERATING VOLTAGE	198~242 V
LED FLUX	19.500 lm ±15%	INPUT FREQUENCY	50/60 Hz
EFFICIENCY	105 lm/W ±15%	INPUT CURRENT	778 mA
COLOR TEMPERATURE	5000 K	POWER FACTOR	>0.93
LIGHT OPENING ANGLE	60°/ 90°/120°	PROTECTION RATING	IP66
COLOR RENDERING INDEX (Ra)	>70	APPLICATION TEMPERATURE	-30 A 50°C
COLOR RENDERING INDEX (Ri)	65	SURGE SUPPRESSOR (8/20 μs)	6 kA



### MODEL ARTICULATED POST

CODE	MODEL	COLOR	OPTICS	POWER	LUMINOUS FLUX	EFFICIENCY	SURGE SUPPRESSOR	PHOTOCELL
E004430020	Articulated Post	Gray	60°	160 W	16.720 lm	105 lm/W	Yes	No
E004430021	Articulated Post	Black	60°	160 W	16.720 lm	105 lm/W	Yes	No
E004430060	Articulated Post	Gray	60°	160 W	16.720 lm	105 lm/W	Yes	Yes
E004430061	Articulated Post	Black	60°	160 W	16.720 lm	105 lm/W	Yes	Yes
E004430010	Articulated Post	Gray	90°	160 W	16.720 lm	105 lm/W	Yes	No
E004430011	Articulated Post	Black	90°	160 W	16.720 lm	105 lm/W	Yes	No
E004430050	Articulated Post	Gray	90°	160 W	16.720 lm	105 lm/W	Yes	Yes
E004430051	Articulated Post	Black	90°	160 W	16.720 lm	105 lm/W	Yes	Yes
E004430015	Articulated Post	Gray	120°	160 W	16.720 lm	105 lm/W	Yes	No
E004430016	Articulated Post	Black	120°	160 W	16.720 lm	105 lm/W	Yes	No
E004430055	Articulated Post	Gray	120°	160 W	16.720 lm	105 lm/W	Yes	Yes
E004430056	Articulated Post	Black	120°	160 W	16.720 lm	105 lm/W	Yes	Yes



### MODEL PROJECTOR

CODE	MODEL	COLOR	OPTICS	POWER	LUMINOUS FLUX	EFFICIENCY	SURGE SUPPRESSOR	PHOTOCELL
E004430380	Projector	Gray	60°	197 W	16.720 lm	105 lm/W	Yes	No
E004430301	Projector	Gray	90°	197 W	16.720 lm	105 lm/W	Yes	No
E004430390	Projector	Gray	120°	197 W	16.720 lm	105 lm/W	Yes	No
E004430385	Projector	Gray	60°	197 W	16.720 lm	105 lm/W	Yes	Yes
E004430375	Projector	Gray	90°	197 W	16.720 lm	105 lm/W	Yes	Yes
E004430395	Projector	Gray	120°	197 W	16.720 lm	105 lm/W	Yes	Yes



# LIGHT FIXTURE HIGHBAY M02 - **17.000**



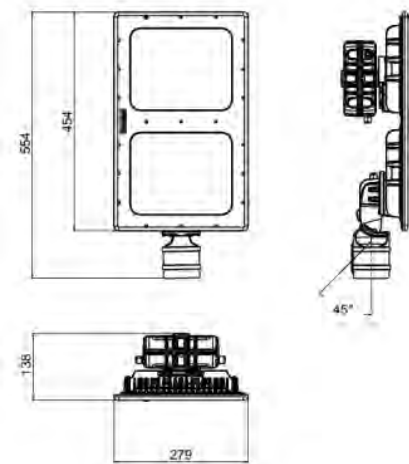
## MODEL PENDANT

CODE	MODEL	COLOR	OPTICS	POWER	LUMINOUS FLUX	EFFICIENCY	SURGE SUPPRESSOR	PHOTOCELL
E004430350	Pendant	Gray	60°	160W	16.720 lm	105 lm/W	Yes	No
E004430360	Pendant	Gray	90°	160 W	16.720 lm	105 lm/W	Yes	No
E004430370	Pendant	Gray	120°	160 W	16.720 lm	105 lm/W	Yes	No

# TECHNICAL DRAWINGS HIGHBAY M02 - **23.000 - 17.000 - 20.000**

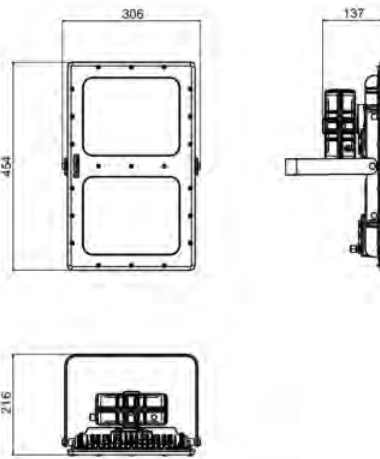
## 23.000

### MODELO ARTICULATED POST



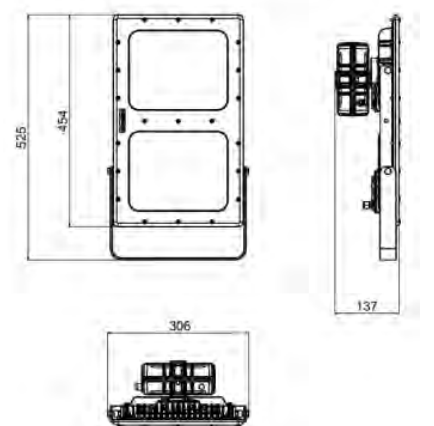
Unit of measurement (mm)

### MODELO PENDANT



Unit of measurement (mm)

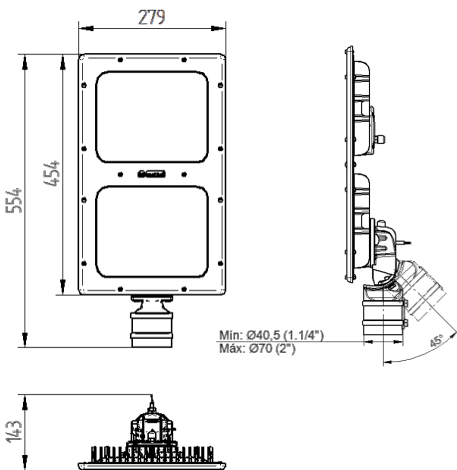
### MODELO PROJECTOR



Unit of measurement (mm)

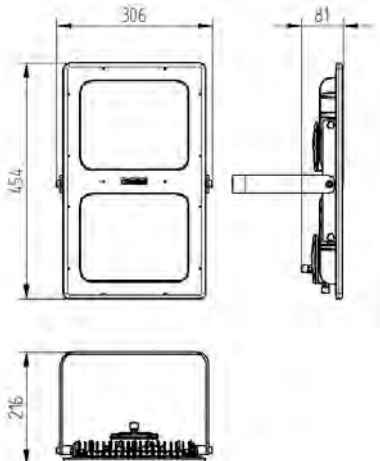
## 17.000 / 20.000

### MODELO ARTICULATED POST



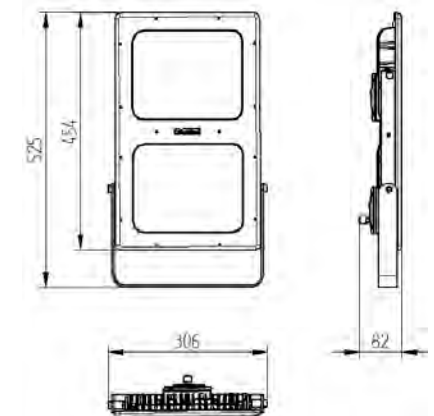
Unit of measurement (mm)

### MODELO PENDANT



Unit of measurement (mm)

### MODELO PROJECTOR

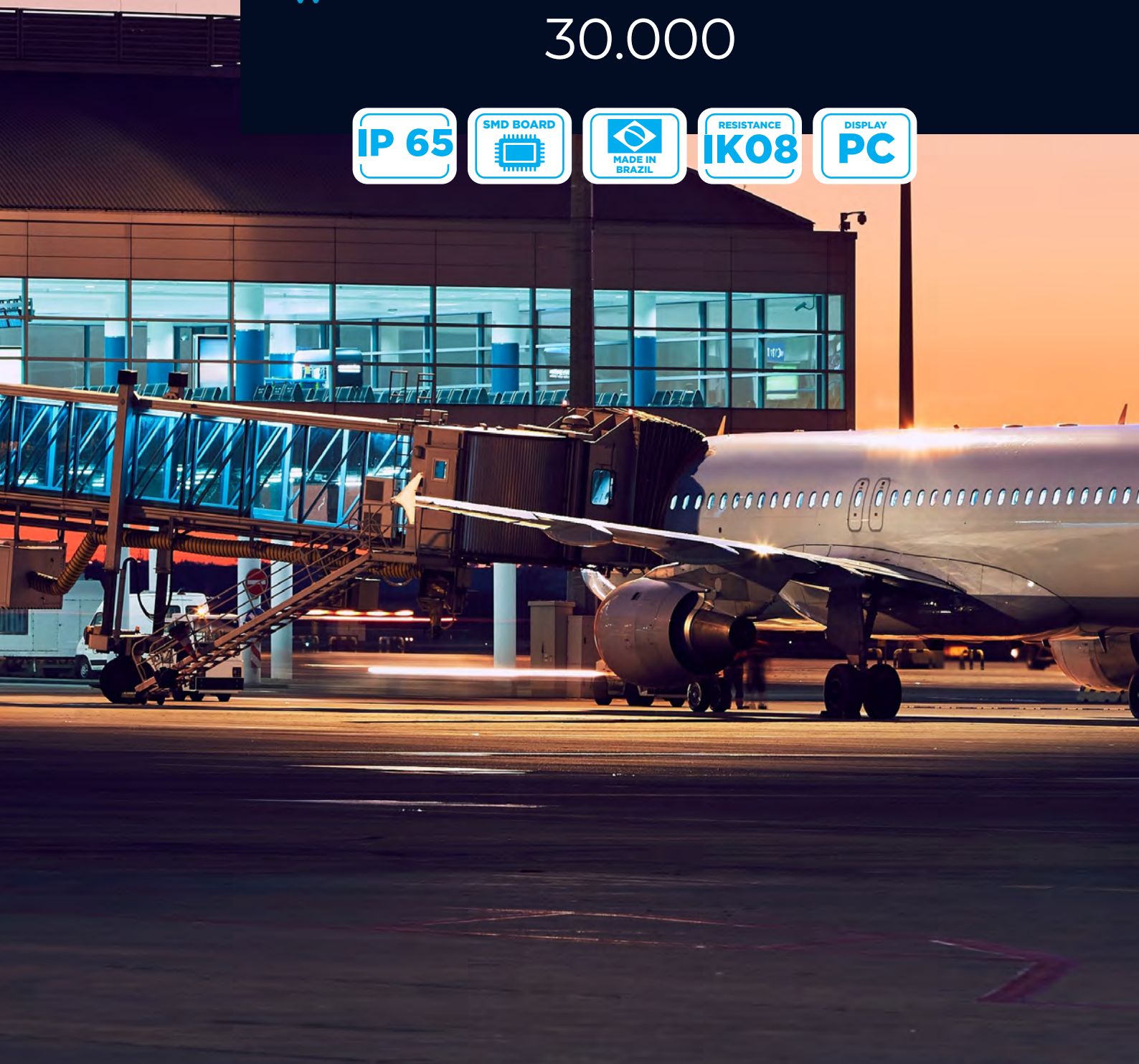
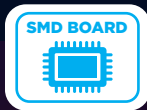


Unit of measurement (mm)



# LIGHT FIXTURE HIGHBAY M03

30.000





### AVAILABLE COLOR:

GRAY

- **Customizable Product** (colors, cabling, glass display, fixing types, special screws, etc.) on request



- *Light fixture with high luminous flux*
- *Injected aluminium body*
- *Electrostatic powder coating*
- *Polycarbonate visor/lenses.*



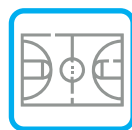
Ideal for



FACADES



PARKING



FIELDS  
SPORTS



AIRPORTS



PORTS

# LIGHT FIXTURE HIGHBAY M03 - 30.000

## Technical Characteristics



DRIVER ON BOARD  
(DOB)



WEIGHT:  
8.330g



72 HIGH  
POWER  
LEDs



POWER:  
287 W ±15%



LED LIFETIME  
(L70@45°C):  
50.000h

LIGHT FIXTURE LUMINOUS POWER	29.310 lm ±15%	OPERATING VOLTAGE	198~242 V
LED FLUX	35.280 lm ±15%	INPUT FREQUENCY	50/60 Hz
EFFICIENCY	102 lm/W ±15%	INPUT CURRENT	1.3 A ±15%
COLOR TEMPERATURE	5000 K	POWER FACTOR	0.93
LIGHT OPENING ANGLE	60° / 90° / 120°	PROTECTION RATING	IP65
COLOR RENDERING INDEX (Ra)	>70	APPLICATION TEMPERATURE	-30 A 50°C
COLOR RENDERING INDEX (Ri)	65	SURGE SUPPRESSOR (8/20 µs)	6 kA



### MODEL PROJECTOR

CODE	MODEL	COLOR	OPTICS	POWER	LUMINOUS FLUX	EFFICIENCY	SURGE SUPPRESSOR	PHOTOCELL
E004440010	Projector	Gray	90°	287 W	29.310 lm	102 lm/W	Yes	No
E004440020	Projector	Gray	120°	287 W	29.310 lm	102 lm/W	Yes	No



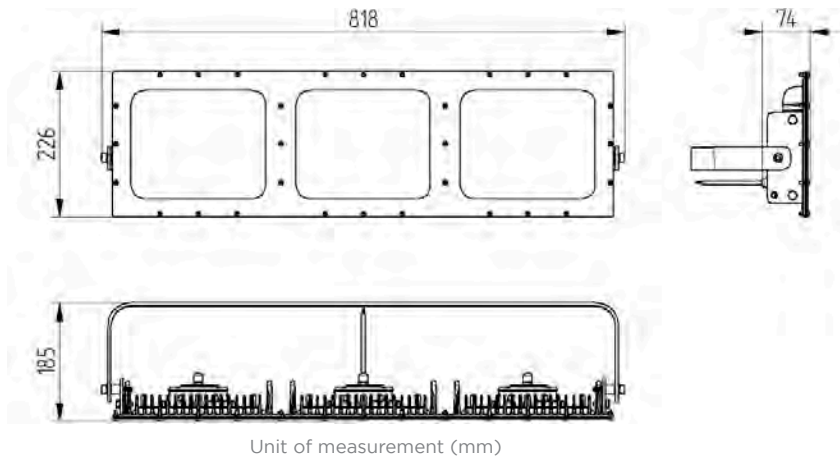
### MODEL PENDANT

CODE	MODEL	COLOR	OPTICS	POWER	LUMINOUS FLUX	EFFICIENCY	SURGE SUPPRESSOR	PHOTOCELL
E004440030	Pendant	Gray	90°	287 W	29.310 lm	102 lm/W	Yes	No
E004440040	Pendant	Gray	120°	287 W	29.310 lm	102 lm/W	Yes	No

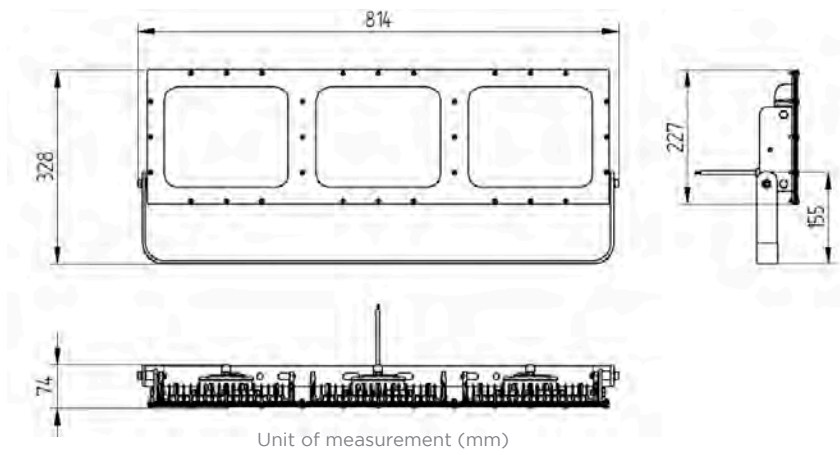




MODELO **PENDANT**



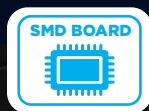
MODELO **PROJECTOR**





# LIGHT FIXTURE ULTRA HIGHBAY M04

46.000 • 40.000



## AVAILABLE COLOR:

GRAY

• **Customizable Product** (colors, cabling, glass display, fixing types, special screws, etc.) on request



- *Light fixture with high luminous flux*
- *Injected aluminium body*
- *Electrostatic powder coating*
- *Polycarbonate visor/lenses.*

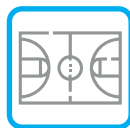
Ideal for



FACADES



PARKING



SPORTS  
FIELDS



AIRPORTS

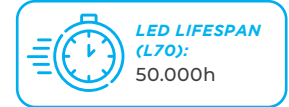
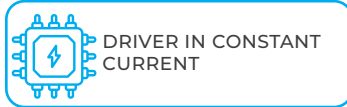


PORTS

# LIGHT FIXTURE ULTRA HIGHBAY M04 - **46.000**



## Technical Characteristics



LIGHT FIXTURE LUMINOUS POWER	45.550 lm $\pm$ 10%	OPERATING VOLTAGE	198~242 V
LED FLUX	47.548 lm $\pm$ 15%	INPUT FREQUENCY	50/60 Hz
EFFICIENCY	135 lm/W $\pm$ 15%	INPUT CURRENT	1.52 A $\pm$ 10%
COLOR TEMPERATURE	5000 K	POWER FACTOR	0.98
LIGHT OPENING ANGLE	90° / 120°	PROTECTION RATING	IP65
COLOR RENDERING INDEX (Ra)	>70	APPLICATION TEMPERATURE	-30 A 50°C
COLOR RENDERING INDEX (Ri)	65	SURGE SUPPRESSOR (8/20 $\mu$ s)	6 kA



### MODEL PROJECTOR

CODE	MODEL	COLOR	OPTICS	POWER	LUMINOUS FLUX	EFFICIENCY	SURGE SUPPRESSOR	PHOTOCELL
E004450011	Projector	Gray	90°	336 W	45.550 lm	135 lm/W	Yes	No
E004450021	Projector	Gray	120°	336 W	45.550 lm	135 lm/W	Yes	No



### MODEL PENDANT

CODE	MODEL	COLOR	OPTICS	POWER	LUMINOUS FLUX	EFFICIENCY	SURGE SUPPRESSOR	PHOTOCELL
E004450031	Pendant	Gray	90°	336 W	45.550 lm	135 lm/W	Yes	No
E004450041	Pendant	Gray	120°	336 W	45.550 lm	135 lm/W	Yes	No



# LIGHT FIXTURE ULTRA HIGHBAY M04 - **40.000**



## Características Técnicas

**DRIVER ON BOARD (DOB)**

**WEIGHT**  
11.350g

**96 HIGH POWER LEDs**

**POWER:**  
379 W  $\pm 15\%$

**LED LIFESPAN (L70@45°C):**  
50.000h

LIGHT FIXTURE LUMINOUS POWER	38.350 lm $\pm 15\%$
LED FLUX	47.040 lm $\pm 15\%$
EFFICIENCY	101 lm/W $\pm 15\%$
COLOR TEMPERATURE	5000 K
LIGHT OPENING ANGLE	60° / 90° / 120°
COLOR RENDERING INDEX (Ra)	>70
COLOR RENDERING INDEX (Ri)	65

OPERATING VOLTAGE	198-242 V
INPUT FREQUENCY	50/60 Hz
INPUT CURRENT	1.72 A $\pm 15\%$
POWER FACTOR	0.93
PROTECTION RATING	IP65
APPLICATION TEMPERATURE	-30 A 50°C
SURGE SUPPRESSOR (8/20 $\mu$ s)	6 kA



### MODEL PROJECTOR

CODE	MODEL	COLOR	OPTICS	POWER	LUMINOUS FLUX	EFFICIENCY	SURGE SUPPRESSOR	PHOTOCELL
E004450010	Projector	Gray	90°	379 W	38.350 lm	101 lm/W	Yes	No
E004450020	Projector	Gray	120°	379 W	38.350 lm	101 lm/W	Yes	No

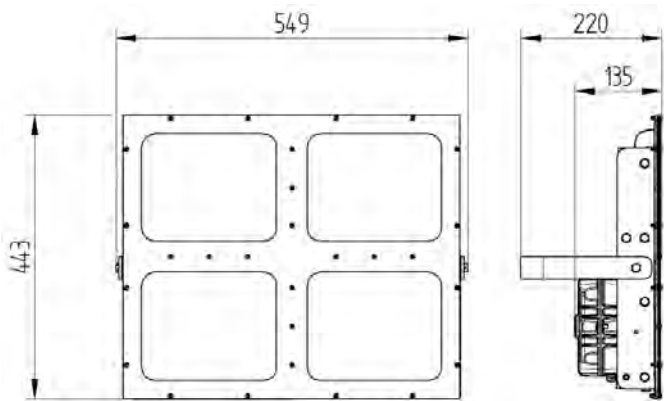


### MODEL PENDANT

CODE	MODEL	COLOR	OPTICS	POWER	LUMINOUS FLUX	EFFICIENCY	SURGE SUPPRESSOR	PHOTOCELL
E004450030	Pendant	Gray	90°	379 W	38.350 lm	101 lm/W	Yes	No
E004450040	Pendant	Gray	120°	379 W	38.350 lm	101 lm/W	Yes	No

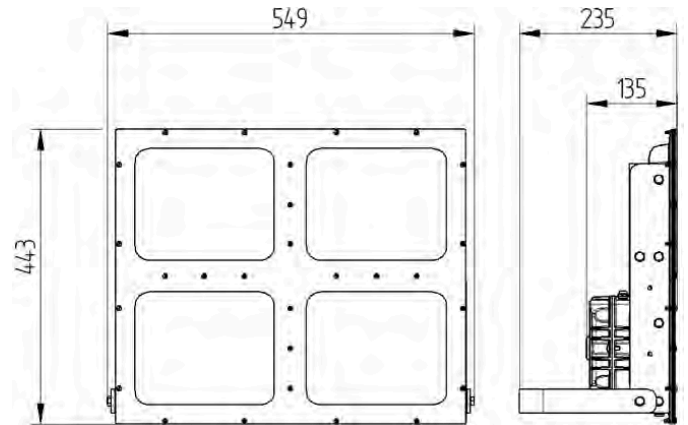
**46.000**

MODELO PENDANT



Unit of measurement (mm)

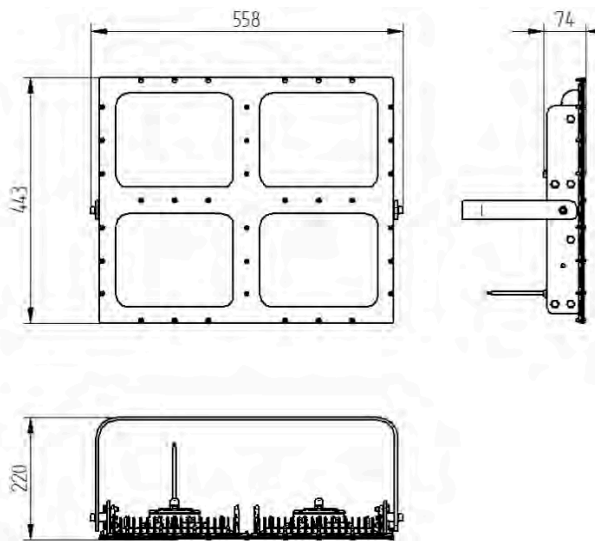
MODELO PROJECTOR



Unit of measurement (mm)

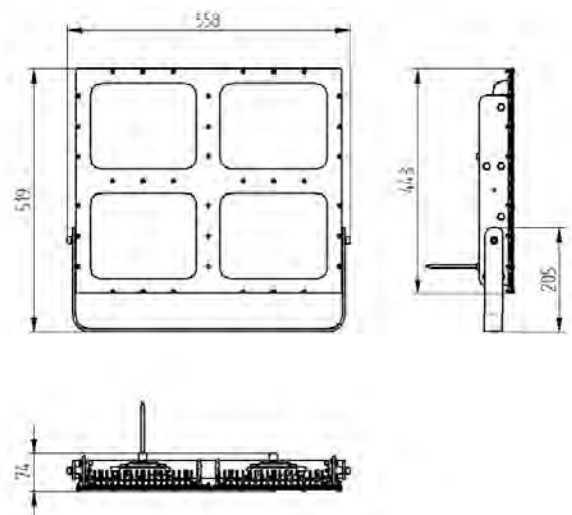
**40.000**

MODELO PENDANT



Unit of measurement (mm)

MODELO PROJECTOR



Unit of measurement (mm)

SPECIAL SOLUTIONS

# WASTE PROTECTOR

SOLUTION AGAINST LARGE DUST ACCUMULATION



RESIDUE PROTECTOR



RESIDUE PROTECTOR

## DIFERENCIAL

- ✓ MAINTAINS THE AIR FLOW BETWEEN THE FINS, WHICH CONSEQUENTLY MAINTAINS THE THERMAL EXCHANGE OF THE LIGHT FIXTURE.
- ✓ GREATER PRACTICALITY IN CLEANING.
- ✓ LIGHT FIXTURES WITH A HIGH DEGREE OF PROTECTION.
- + DURABILITY.



PROTECTOR UNDER THE FINS, PROVIDING EFFECTIVE PROTECTION **AGAINST RESIDUES.**



AVAILABLE FOR FIXTURES: **WYPL Y M01**



**wetzel** LED

**LIGHT FIXTURE  
LHW**

3.500 • 7.000

**IP 69**

**SMD BOARD**

**MADE IN  
BRAZIL**

**RESISTANCE  
IK08**

**DISPLAY  
PC**



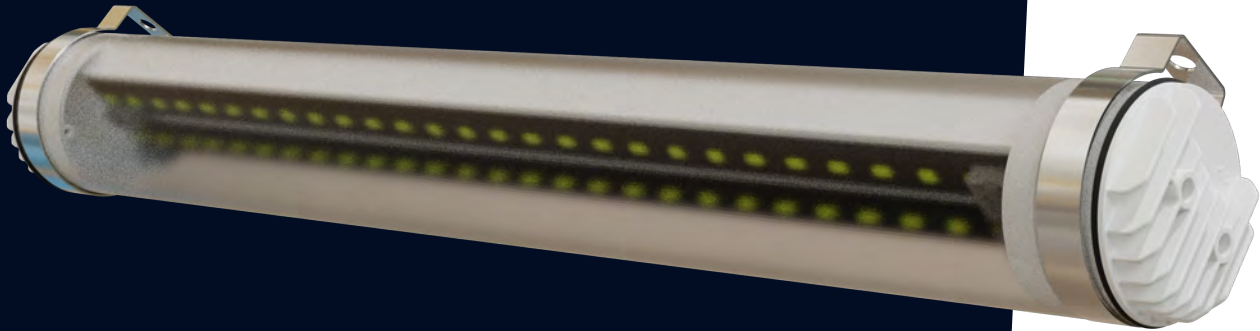




#### AVAILABLE COLOR:

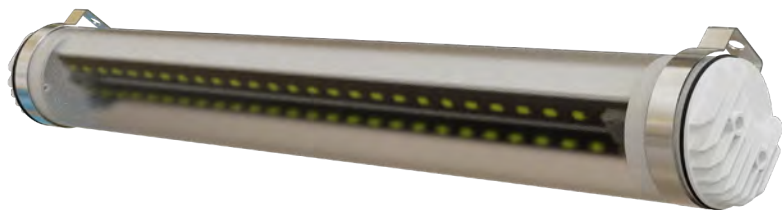
WHITE

• **Customizable Product** (colors, cabling, types of fastening, special screws, etc.) on request



MODEL 7.000

- *Light fixture with high luminous flux*
- *Injected aluminium body*
- *Electrostatic powder coating*
- *Anti-glare polycarbonate display.*



MODEL 3.500

*Ideal for*



SLAUGHTER  
HOUSES  
STORAGE



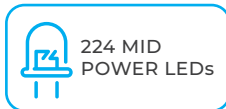
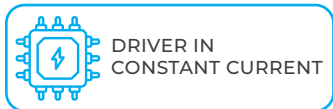
TUNNELS



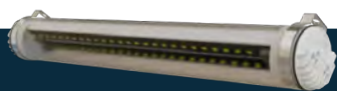
FOOD  
INDUSTRIES

# LIGHT FIXTURE LHW - **7.000**

## Technical Characteristics



LIGHT FIXTURE LUMINOUS POWER	6.900 lm	OPERATING VOLTAGE	198~242 V
LED FLUX	7.800 lm	INPUT FREQUENCY	50/60 Hz
EFFICIENCY	115 lm/W	INPUT CURRENT	273 mA
COLOR TEMPERATURE	5000 K	POWER FACTOR	0.98
LIGHT OPENING ANGLE	120°	PROTECTION RATING	IP69K
COLOR RENDERING INDEX (Ra)	>80	APPLICATION TEMPERATURE	-30 A 50°C
COLOR RENDERING INDEX (Ri)	75	SURGE SUPPRESSOR (8/20 μs)	6 kA



MODEL **7.000**

CODE	MODEL	COLOR	COLOR TEMPERATURE	POWER	LUMINOUS FLUX	EFFICIENCY	SURGE SUPPRESSOR	PHOTOCELL
E004070050	LHW 7000	White	5000k	60W	6900 lm	115lm/W	Yes	No

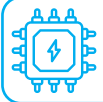
*\*Cable with injected plug*

*Highest scale of protection against permeation of **liquids** and **solids**.*



# LIGHT FIXTURE LHW - **3.500**

## Technical Characteristics



DRIVER IN  
CONSTANT CURRENT



WEIGHT:  
1.560g



112 MID  
POWER LEDs

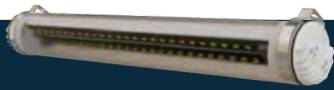


POWER:  
30 W



LED LIFETIME  
(L70@45°C):  
50.000h

LIGHT FIXTURE LUMINOUS POWER	3.300 lm	OPERATING VOLTAGE	198~242 V
LED FLUX	3.900 lm	INPUT FREQUENCY	50/60 Hz
EFFICIENCY	110 lm/W	INPUT CURRENT	136 mA
COLOR TEMPERATURE	5000 K	POWER FACTOR	0.98
LIGHT OPENING ANGLE	120°	PROTECTION RATING	IP69K
COLOR RENDERING INDEX (Ra)	>80	APPLICATION TEMPERATURE	-30 A 50°C
COLOR RENDERING INDEX (Ri)	75	SURGE SUPPRESSOR (8/20 μs)	6 kA



MODEL **3.500**

CODE	MODEL	COLOR	COLOR TEMPERATURE	POWER	LUMINOUS FLUX	EFFICIENCY	SURGE SUPPRESSOR	PHOTOCELL
E004070030	LHW 3500	White	5000k	30W	3300 lm	110lm/W	Yes	No

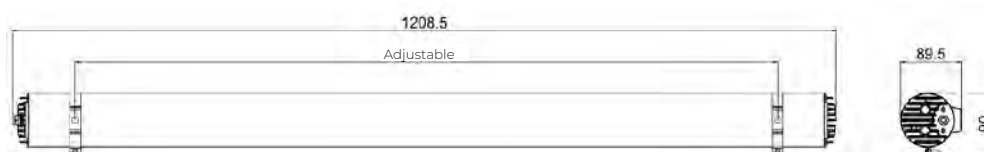
*\*Cable with injected plug*

## TECHNICAL DRAWINGS LHW - **7.000 - 3.500**

### 3.500



### 7.000

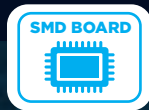






**CUSTOMIZED PROJECTS**  
**LIGHT FIXTURE WYPL**

3.700 - 24 Vc.c.







**AVAILABLE COLORS:**

WHITE

GRAY

BLACK

• **Customizable Product** (colors, cabling, types of fastening, special screws, etc.) on request.



MODEL **PROJECTOR**

- *Body in injected under pressure*
- *Electrostatic powder coating*
- *Anti-glare polycarbonate display.*



MODEL **POST**



MODEL **45° SCONCE**

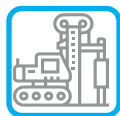


MODEL **90° SCONCE**

*Ideal for*



**LOCOMOTIVES**



**EQUIPMENT**



**VESSELS**



**SOLAR POWER SYSTEMS**

# LIGHT FIXTURE

## WYPL - **3.700 - 24 Vc.c.**

### Technical Characteristics



**INTEGRATED DRIVER ON BOARD (DOB)**




**WEIGHT:**  
1.650g



**12 HIGH POWER LEDs**



**POWER:**  
31 W ±10%



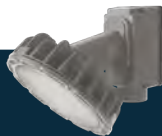
**LED LIFESPAN (L70):**  
50.000h

LIGHT FIXTURE LUMINOUS POWER	3.710 lm ±10%	OPERATING VOLTAGE	24 Vc.c.
LED FLUX	3.810 lm ±10%	INPUT FREQUENCY	NA
EFFICIENCY	120 lm/W ±10%	INPUT CURRENT	1.3 A
COLOR TEMPERATURE	5000 K	POWER FACTOR	1
LIGHT OPENING ANGLE	109°	PROTECTION RATING	IP66
COLOR RENDERING INDEX (Ra)	>70	APPLICATION TEMPERATURE	-30 A 50°C
COLOR RENDERING INDEX (Ri)	65	SURGE SUPPRESSOR (8/20 µs)	6 kA



### MODEL PROJECTOR

CODE	MODEL	COLOR	COLOR TEMPERATURE	POWER	LUMINOUS FLUX	EFFICIENCY	SURGE SUPPRESSOR	PHOTOCELL
E004820600	Projector	Gray	5000 K	31 W	3710 lm	120 lm/W	No	No
E004820601	Projector	White	5000 K	31 W	3710 lm	120 lm/W	No	No
E004820602	Projector	Black	5000 K	31 W	3710 lm	120 lm/W	No	No



### MODEL POST

CODE	MODEL	COLOR	COLOR TEMPERATURE	POWER	LUMINOUS FLUX	EFFICIENCY	SURGE SUPPRESSOR	PHOTOCELL
E004820610	Post	Gray	5000 K	31 W	3710 lm	120 lm/W	No	No
E004820611	Post	White	5000 K	31 W	3710 lm	120 lm/W	No	No
E004820612	Post	Black	5000 K	31 W	3710 lm	120 lm/W	No	No



### MODEL 45° SCONCE

CODE	MODEL	COLOR	COLOR TEMPERATURE	POWER	LUMINOUS FLUX	EFFICIENCY	SURGE SUPPRESSOR	PHOTOCELL
E004820620	Sconce 45°	Gray	5000 K	31 W	3710 lm	120 lm/W	No	No
E004820621	Sconce 45°	White	5000 K	31 W	3710 lm	120 lm/W	No	No
E004820622	Sconce 45°	Black	5000 K	31 W	3710 lm	120 lm/W	No	No

# LIGHT FIXTURE WYPL - **3.700 - 24 Vc.c.**

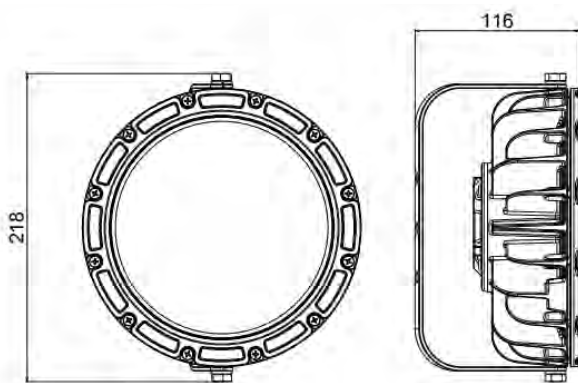


## MODEL 90° SCONCE

CODE	MODEL	COLOR	COLOR TEMPERATURE	POWER	LUMINOUS FLUX	EFFICIENCY	SURGE SUPPRESSOR	PHOTOCELL
E004820630	Sconce 90°	Gray	5000 K	31 W	3710 lm	120 lm/W	No	No
E004820631	Sconce 90°	White	5000 K	31 W	3710 lm	120 lm/W	No	No
E004820632	Sconce 90°	Black	5000 K	31 W	3710 lm	120 lm/W	No	No

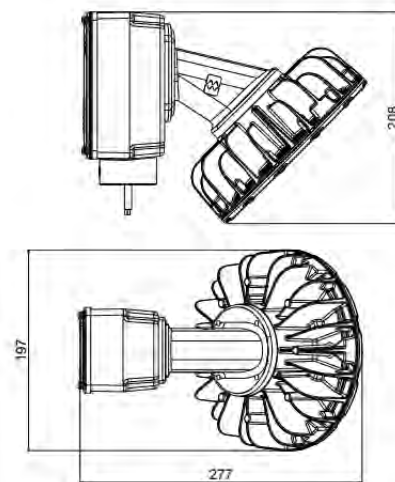
# TECHNICAL DRAWINGS WYPL - **3.700 - 24 Vc.c.**

### MODEL PROJECTOR



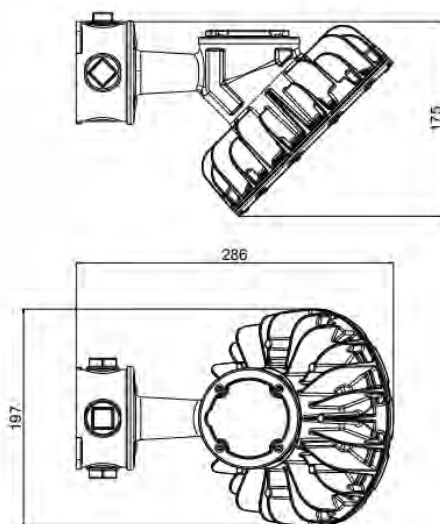
Unit of measurement (mm)

### MODEL POST



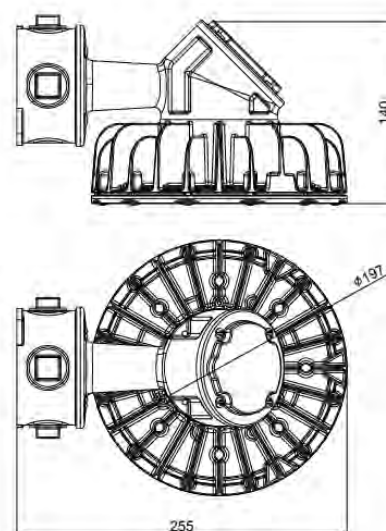
Unit of measurement (mm)

### MODEL 45° SCONCE



Unit of measurement (mm)

### MODEL 90° SCONCE



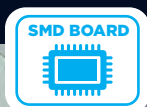
Unit of measurement (mm)





# LIGHT WYPL

7.000 • 3.400 • 3.000





**AVAILABLE COLORS:**

WHITE

GRAY

BLACK

• **Customizable Product** (Colors, cabling, types of fastening, special screws, etc.) on request



MODEL PROJECTOR

- *Aluminium body injected under pressure*
- *Electrostatic powder coating*
- *Anti-glare polycarbonate display.*



MODEL PENDANT



MODEL 45° SCONCE



MODEL 90° SCONCE



MODEL POST



MODEL CEILING LIGHT

*Ideal for*



SLAUGHTER  
HOUSES  
STORAGE



PARKING



SQUARES



INDUSTRIAL  
WAREHOUSES



EXHIBITORS

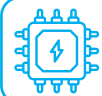


TUNNELS

# LIGHT FIXTURE WYPL - 7.000



## Technical Characteristics



DRIVER IN CONSTANT CURRENT



WEIGHT:  
1.650g



112 MID POWER LEDs



POWER:  
60 W  $\pm 10\%$



LED LIFESPAN (L70):  
75.000h

LIGHT FIXTURE LUMINOUS POWER	6.950 lm $\pm 10\%$	OPERATING VOLTAGE	198~242 V
LED FLUX	7.900 lm $\pm 10\%$	INPUT FREQUENCY	50/60 Hz
EFFICIENCY	115 lm/W $\pm 10\%$	INPUT CURRENT	280 mA
COLOR TEMPERATURE	5000K	POWER FACTOR	0.93
LIGHT OPENING ANGLE	110°	PROTECTION RATING	IP66
COLOR RENDERING INDEX (Ra)	>85	APPLICATION TEMPERATURE	-30 A 50°C
COLOR RENDERING INDEX (Ri)	80	SURGE SUPPRESSOR (8/20 $\mu$ s)	6 kA



### MODEL PROJECTOR

CODE	MODEL	COLOR	COLOR TEMPERATURE	POWER	LUMINOUS FLUX	EFFICIENCY	SURGE SUPPRESSOR	PHOTOCELL
E004821050	Projector	Gray	5000 K	60 W	6.950 lm	115 lm/W	Yes	No
E004821052	Projector	White	5000 K	60 W	6.950 lm	115 lm/W	Yes	No
E004821053	Projector	Black	5000 K	60 W	6.950 lm	115 lm/W	Yes	No



### MODEL PENDANT

CODE	MODEL	COLOR	COLOR TEMPERATURE	POWER	LUMINOUS FLUX	EFFICIENCY	SURGE SUPPRESSOR	PHOTOCELL
E004821010	Pendant	Gray	5000 K	60 W	6.950 lm	115 lm/W	No	No
E004821012	Pendant	White	5000 K	60 W	6.950 lm	115 lm/W	No	No
E004821013	Pendant	Black	5000 K	60 W	6.950 lm	115 lm/W	No	No

# LIGHT FIXTURE WYPL - 7.000



## MODEL POST

CODE	MODEL	COLOR	COLOR TEMPERATURE	POWER	LUMINOUS FLUX	EFFICIENCY	SURGE SUPPRESSOR	PHOTOCELL
E004821070	Post	Gray	5000 K	60 W	6.950 lm	115 lm/W	No	No
E004821072	Post	White	5000 K	60 W	6.950 lm	115 lm/W	No	No
E004821073	Post	Black	5000 K	60 W	6.950 lm	115 lm/W	No	No



## MODEL CEILING LIGHT

CODE	MODEL	COLOR	COLOR TEMPERATURE	POWER	LUMINOUS FLUX	EFFICIENCY	SURGE SUPPRESSOR	PHOTOCELL
E004821020	Ceiling Light	Gray	5000 K	60 W	6.950 lm	115 lm/W	No	No
E004821022	Ceiling Light	White	5000 K	60 W	6.950 lm	115 lm/W	No	No
E004821023	Ceiling Light	Black	5000 K	60 W	6.950 lm	115 lm/W	No	No



## MODEL 45° SCONCE

CODE	MODEL	COLOR	COLOR TEMPERATURE	POWER	LUMINOUS FLUX	EFFICIENCY	SURGE SUPPRESSOR	PHOTOCELL
E004821030	45° Sconce	Gray	5000 K	60 W	6.950 lm	115 lm/W	No	No
E004821032	45° Sconce	White	5000 K	60 W	6.950 lm	115 lm/W	No	No
E004821033	45° Sconce	Black	5000 K	60 W	6.950 lm	115 lm/W	No	No



## MODEL 90° SCONCE

CODE	MODEL	COLOR	COLOR TEMPERATURE	POWER	LUMINOUS FLUX	EFFICIENCY	SURGE SUPPRESSOR	PHOTOCELL
E004821040	90° Sconce	Gray	5000 K	60 W	6.950 lm	115 lm/W	No	No
E004821042	90° Sconce	White	5000 K	60 W	6.950 lm	115 lm/W	No	No
E004821043	90° Sconce	Black	5000 K	60 W	6.950 lm	115 lm/W	No	No

# LIGHT FIXTURE WYPL - 3.400



## Technical Characteristics



DRIVER ON BOARD  
(DOB)



WEIGHT:  
1.650g



43 MID  
POWER LEDs



POWER:  
44 W  $\pm 10\%$



LED LIFESPAN  
(L70):  
30.000h

LIGHT FIXTURE LUMINOUS POWER	3.410 lm $\pm 10\%$	OPERATING VOLTAGE	205~242 V
LED FLUX	4.130 lm $\pm 10\%$	INPUT FREQUENCY	50/60 Hz
EFFICIENCY	78 lm/W $\pm 10\%$	INPUT CURRENT	201 mA
COLOR TEMPERATURE	2700 K / 5000 K	POWER FACTOR	0.99
LIGHT OPENING ANGLE	104°	PROTECTION RATING	IP66
COLOR RENDERING INDEX (Ra)	>80	APPLICATION TEMPERATURE	-30 A 50°C
COLOR RENDERING INDEX (Ri)	75	SURGE SUPPRESSOR (8/20 $\mu$ s)	6 kA



### MODEL PROJECTOR

CODE	MODEL	COLOR	COLOR TEMPERATURE	POWER	LUMINOUS FLUX	EFFICIENCY	SURGE SUPPRESSOR	PHOTOCELL
E004820055	Projector	Gray	2700 K	44 W	3.410 lm	78 lm/W	Yes	No
E004820056	Projector	White	2700 K	44 W	3.410 lm	78 lm/W	Yes	No
E004820571	Projector	Black	2700 K	44 W	3.410 lm	78 lm/W	Yes	No
E004820572	Projector	Gray	2700 K	44 W	3.410 lm	78 lm/W	Yes	Yes
E004820580	Projector	White	2700 K	44 W	3.410 lm	78 lm/W	Yes	Yes
E004820581	Projector	Black	2700 K	44 W	3.410 lm	78 lm/W	Yes	Yes
E004820050	Projector	Gray	5000 K	44 W	3.410 lm	78 lm/W	Yes	No
E004820052	Projector	White	5000 K	44 W	3.410 lm	78 lm/W	Yes	No
E004820053	Projector	Black	5000 K	44 W	3.410 lm	78 lm/W	Yes	No
E004820422	Projector	Gray	5000 K	44 W	3.410 lm	78 lm/W	Yes	Yes
E004820442	Projector	White	5000 K	44 W	3.410 lm	78 lm/W	Yes	Yes
E004820432	Projector	Black	5000 K	44 W	3.410 lm	78 lm/W	Yes	Yes



### MODEL PENDANT

CODE	MODEL	COLOR	COLOR TEMPERATURE	POWER	LUMINOUS FLUX	EFFICIENCY	SURGE SUPPRESSOR	PHOTOCELL
E004820015	Pendant	Gray	2700 K	44 W	3.410 lm	78 lm/W	No	No
E004820016	Pendant	White	2700 K	44 W	3.410 lm	78 lm/W	No	No
E004820562	Pendant	Black	2700 K	44 W	3.410 lm	78 lm/W	No	No
E004820010	Pendant	Gray	5000 K	44 W	3.410 lm	78 lm/W	No	No
E004820012	Pendant	White	5000 K	44 W	3.410 lm	78 lm/W	No	No
E004820013	Pendant	Black	5000 K	44 W	3.410 lm	78 lm/W	No	No



# LIGHT FIXTURE WYPL - 3.400



## MODEL POST

CODE	MODEL	COLOR	COLOR TEMPERATURE	POWER	LUMINOUS FLUX	EFFICIENCY	SURGE SUPPRESSOR	PHOTOCELL
E004820075	Post	Gray	2700 K	44 W	3.410 lm	78 lm/W	Não	Não
E004820590	Post	White	2700 K	44 W	3.410 lm	78 lm/W	Não	Não
E004820591	Post	Black	2700 K	44 W	3.410 lm	78 lm/W	Não	Não
E004820070	Post	Gray	5000 K	44 W	3.410 lm	78 lm/W	Não	Não
E004820551	Post	White	5000 K	44 W	3.410 lm	78 lm/W	Não	Não
E004820560	Post	Black	5000 K	44 W	3.410 lm	78 lm/W	Não	Não



## MODEL CEILING LIGHT

CODE	MODEL	COLOR	COLOR TEMPERATURE	POWER	LUMINOUS FLUX	EFFICIENCY	SURGE SUPPRESSOR	PHOTOCELL
E004820025	Ceiling Light	Gray	2700 K	44 W	3.410 lm	78 lm/W	No	No
E004820026	Ceiling Light	White	2700 K	44 W	3.410 lm	78 lm/W	No	No
E004820570	Ceiling Light	Black	2700 K	44 W	3.410 lm	78 lm/W	No	No
E004820020	Ceiling Light	Gray	5000 K	44 W	3.410 lm	78 lm/W	No	No
E004820022	Ceiling Light	White	5000 K	44 W	3.410 lm	78 lm/W	No	No
E004820023	Ceiling Light	Black	5000 K	44 W	3.410 lm	78 lm/W	No	No



## MODEL 45° SCONCE

CODE	MODEL	COLOR	COLOR TEMPERATURE	POWER	LUMINOUS FLUX	EFFICIENCY	SURGE SUPPRESSOR	PHOTOCELL
E004820035	45° Sconce	Gray	2700 K	44W	3.410 lm	78 lm/W	No	No
E004820036	45° Sconce	White	2700 K	44W	3.410 lm	78 lm/W	No	No
E004820582	45° Sconce	Black	2700 K	44W	3.410 lm	78 lm/W	No	No
E004820030	45° Sconce	Gray	5000 K	44W	3.410 lm	78 lm/W	No	No
E004820032	45° Sconce	White	5000 K	44W	3.410 lm	78 lm/W	No	No
E004820033	45° Sconce	Black	5000 K	44W	3.410 lm	78 lm/W	No	No




## MODEL 90° SCONCE

CODE	MODEL	COLOR	COLOR TEMPERATURE	POWER	LUMINOUS FLUX	EFFICIENCY	SURGE SUPPRESSOR	PHOTOCELL
E004820045	90° Sconce	Gray	2700 K	44W	3.410 lm	78 lm/W	No	No
E004820046	90° Sconce	White	2700 K	44W	3.410 lm	78 lm/W	No	No
E004820583	90° Sconce	Black	2700 K	44W	3.410 lm	78 lm/W	No	No
E004820040	90° Sconce	Gray	5000 K	44W	3.410 lm	78 lm/W	No	No
E004820042	90° Sconce	White	5000 K	44W	3.410 lm	78 lm/W	No	No
E004820043	90° Sconce	Black	5000 K	44W	3.410 lm	78 lm/W	No	No

# LIGHT FIXTURE WYPL - 3.000




## Technical Characteristics



**DRIVER ONBOARD (DOB)**




**WEIGHT:**  
1.650g



**36 MID POWER LEDs**



**POWER:**  
38 W ±10%



**LED LIFESPAN (L70):**  
30.000h

LIGHT FIXTURE LUMINOUS POWER	2.790 lm ±10%	OPERATING VOLTAGE	198~242 V
LED FLUX	3.540 lm ±10%	INPUT FREQUENCY	50/60 Hz
EFFICIENCY	73 lm/W ±10%	INPUT CURRENT	174 mA
COLOR TEMPERATURE	2700 K / 5000 K	POWER FACTOR	0.99
LIGHT OPENING ANGLE	103°	PROTECTION RATING	IP66
COLOR RENDERING INDEX (Ra)	>80	APPLICATION TEMPERATURE	-30 A 50°C
COLOR RENDERING INDEX (Ri)	75	SURGE SUPPRESSOR (8/20 μs)	6 kA



### MODEL PROJECTOR

CODE	MODEL	COLOR	COLOR TEMPERATURE	POWER	LUMINOUS FLUX	EFFICIENCY	SURGE SUPPRESSOR	PHOTOCELL
E004820116	Projector	Gray	2700 K	38 W	2.790 lm	73 lm/W	Yes	No
E004820530	Projector	White	2700 K	38 W	2.790 lm	73 lm/W	Yes	No
E004820531	Projector	Black	2700 K	38 W	2.790 lm	73 lm/W	Yes	No
E004820532	Projector	Gray	2700 K	38 W	2.790 lm	73 lm/W	Yes	Yes
E004820533	Projector	White	2700 K	38 W	2.790 lm	73 lm/W	Yes	Yes
E004820540	Projector	Black	2700 K	38 W	2.790 lm	73 lm/W	Yes	Yes
E004820200	Projector	Gray	5000 K	38 W	2.790 lm	73 lm/W	Yes	No
E004820220	Projector	White	5000 K	38 W	2.790 lm	73 lm/W	Yes	No
E004820210	Projector	Black	5000 K	38 W	2.790 lm	73 lm/W	Yes	No
E004820202	Projector	Gray	5000 K	38 W	2.790 lm	73 lm/W	Yes	Yes
E004820222	Projector	White	5000 K	38 W	2.790 lm	73 lm/W	Yes	Yes
E004820212	Projector	Black	5000 K	38 W	2.790 lm	73 lm/W	Yes	Yes



### MODEL PENDANT

CODE	MODEL	COLOR	COLOR TEMPERATURE	POWER	LUMINOUS FLUX	EFFICIENCY	SURGE SUPPRESSOR	PHOTOCELL
E004820083	Pendant	Gray	2700 K	38 W	2.790 lm	73 lm/W	No	No
E004820103	Pendant	White	2700 K	38 W	2.790 lm	73 lm/W	No	No
E004820523	Pendant	Black	2700 K	38 W	2.790 lm	73 lm/W	No	No
E004820080	Pendant	Gray	5000 K	38 W	2.790 lm	73 lm/W	No	No
E004820100	Pendant	White	5000 K	38 W	2.790 lm	73 lm/W	No	No
E004820090	Pendant	Black	5000 K	38 W	2.790 lm	73 lm/W	No	No

# LIGHT FIXTURE WYPL - 3.000



## MODEL POST

CODE	MODEL	COLOR	COLOR TEMPERATURE	POWER	LUMINOUS FLUX	EFFICIENCY	SURGE SUPPRESSOR	PHOTOCELL
E004820233	Post	Gray	2700 K	38 W	2.790 lm	73 lm/W	No	No
E004820117	Post	White	2700 K	38 W	2.790 lm	73 lm/W	No	No
E004820543	Post	Black	2700 K	38 W	2.790 lm	73 lm/W	No	No
E004820230	Post	Gray	5000 K	38 W	2.790 lm	73 lm/W	No	No
E004820520	Post	White	5000 K	38 W	2.790 lm	73 lm/W	No	No
E004820521	Post	Black	5000 K	38 W	2.790 lm	73 lm/W	No	No



## MODEL CEILING LIGHT

CODE	MODEL	COLOR	COLOR TEMPERATURE	POWER	LUMINOUS FLUX	EFFICIENCY	SURGE SUPPRESSOR	PHOTOCELL
E004820113	Ceiling Light	Gray	2700 K	38 W	2.790 lm	73 lm/W	No	No
E004820133	Ceiling Light	White	2700 K	38 W	2.790 lm	73 lm/W	No	No
E004820593	Ceiling Light	Black	2700 K	38 W	2.790 lm	73 lm/W	No	No
E004820110	Ceiling Light	Gray	5000 K	38 W	2.790 lm	73 lm/W	No	No
E004820130	Ceiling Light	White	5000 K	38 W	2.790 lm	73 lm/W	No	No
E004820120	Ceiling Light	Black	5000 K	38 W	2.790 lm	73 lm/W	No	No



## MODEL 45° SCONCE

CODE	MODEL	COLOR	COLOR TEMPERATURE	POWER	LUMINOUS FLUX	EFFICIENCY	SURGE SUPPRESSOR	PHOTOCELL
E004820143	45° Sconce	Gray	2700 K	38 W	2.790 lm	73 lm/W	No	No
E004820163	45° Sconce	White	2700 K	38 W	2.790 lm	73 lm/W	No	No
E004820541	45° Sconce	Black	2700 K	38 W	2.790 lm	73 lm/W	No	No
E004820140	45° Sconce	Gray	5000 K	38 W	2.790 lm	73 lm/W	No	No
E004820160	45° Sconce	White	5000 K	38 W	2.790 lm	73 lm/W	No	No
E004820150	45° Sconce	Black	5000 K	38 W	2.790 lm	73 lm/W	No	No



## MODEL 90° SCONCE

CODE	MODEL	COLOR	COLOR TEMPERATURE	POWER	LUMINOUS FLUX	EFFICIENCY	SURGE SUPPRESSOR	PHOTOCELL
E004820173	90° Sconce	Gray	2700 K	38 W	2.790 lm	73 lm/W	No	No
E004820193	90° Sconce	White	2700 K	38 W	2.790 lm	73 lm/W	No	No
E004820542	90° Sconce	Black	2700 K	38 W	2.790 lm	73 lm/W	No	No
E004820170	90° Sconce	Gray	5000 K	38 W	2.790 lm	73 lm/W	No	No
E004820190	90° Sconce	White	5000 K	38 W	2.790 lm	73 lm/W	No	No
E004820180	90° Sconce	Black	5000 K	38 W	2.790 lm	73 lm/W	No	No

# LIGHT FIXTURE WYPL - 3.000



## MODEL WYPL WITH WASTE PROTECTOR

CODE	MODEL	COLOR	COLOR TEMPERATURE	POWER	LUMINOUS FLUX	EFFICIENCY	SURGE SUPPRESSOR	PHOTOCELL
E004821011	Pendant	Gray	5000 K	60 W	6.950 lm	115 lm/W	Yes	No
E004821031	45° Sconce	Gray	5000 K	60 W	6.950 lm	115 lm/W	No	No
E004821041	90° Sconce	Gray	5000 K	60 W	6.950 lm	115 lm/W	Yes	No
E004821021	Ceiling Light	Gray	5000 K	60 W	6.950 lm	115 lm/W	No	No
E004821071	Post	Gray	5000 K	60 W	6.950 lm	115 lm/W	Yes	No
E004820084	Pendant	Gray	2700 K	38 W	2.790 lm	73 lm/W	No	No
E004820104	45° Sconce	Gray	2700 K	38 W	2.790 lm	73 lm/W	No	No
E004820114	90° Sconce	Gray	2700 K	38 W	2.790 lm	73 lm/W	No	No
E004820094	Ceiling Light	Gray	2700 K	38 W	2.790 lm	73 lm/W	No	No
E004820550	Post	Gray	2700 K	38 W	2.790 lm	73 lm/W	No	No
E004820081	Pendant	Gray	5000 K	38 W	2.790 lm	73 lm/W	No	No
E004820101	45° Sconce	Gray	5000 K	38 W	2.790 lm	73 lm/W	No	No
E004820111	90° Sconce	Gray	5000 K	38 W	2.790 lm	73 lm/W	No	No
E004820091	Ceiling Light	Gray	5000 K	38 W	2.790 lm	73 lm/W	No	No
E004820522	Post	Gray	5000 K	38 W	2.790 lm	73 lm/W	No	No



**MODEL 45° SCONCE  
W/ RESIDUE PROTECTOR**



**MODEL 90° SCONCE  
W/ RESIDUE PROTECTOR**



**MODEL PENDANT  
W/ RESIDUE PROTECTOR**



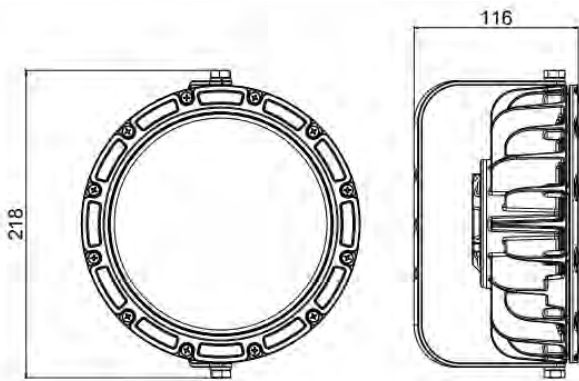
**MODEL POST  
W/ RESIDUE PROTECTOR**



**MODEL CEILING LIGHT  
W/ RESIDUE PROTECTOR**

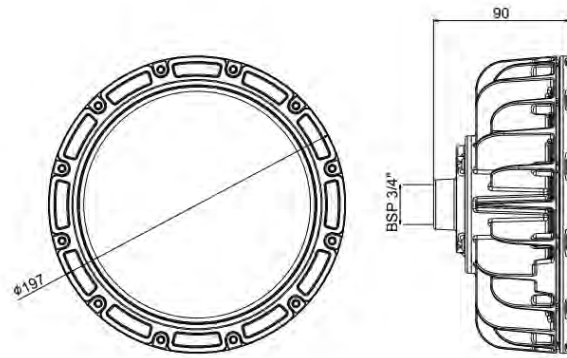


MODEL PROJECTOR



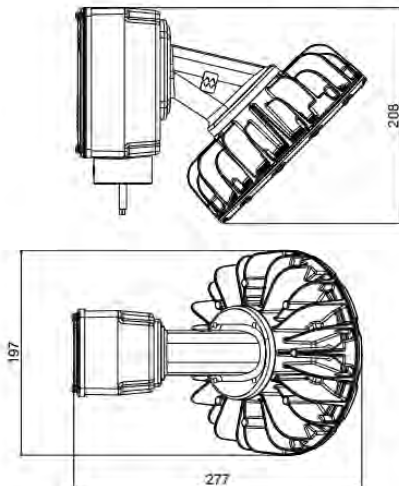
Unit of measurement (mm)

MODEL PENDANT



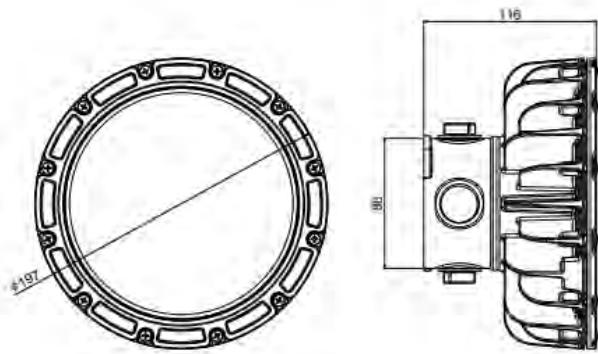
Unit of measurement (mm)

MODEL POST



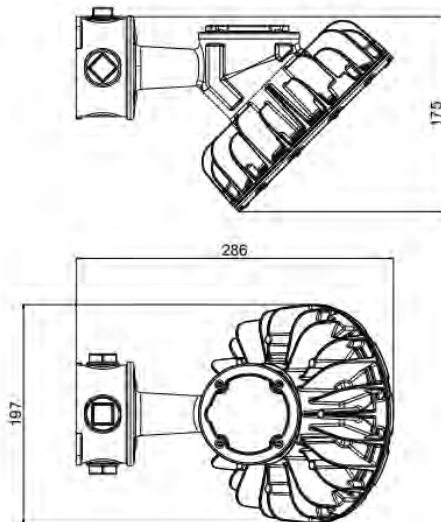
Unit of measurement (mm)

MODEL CEILING LIGHT



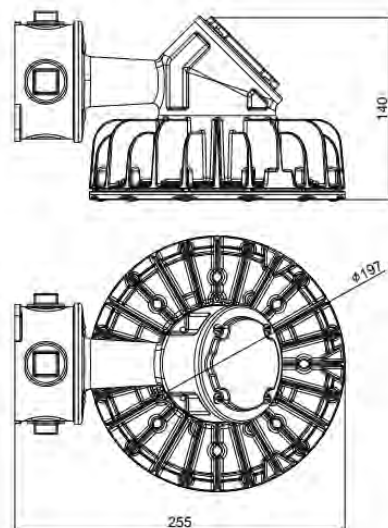
Unit of measurement (mm)

MODEL 45° SCONCE



Unit of measurement (mm)

MODEL 90° SCONCE

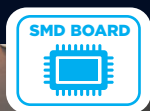


Unit of measurement (mm)



# LIGHT FIXTURE OFFICE

3.600





AVAILABLE COLOR:

WHITE



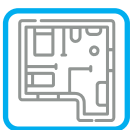
MODEL 617X617MM

- *Light fixture with high luminous flux*
- *Steel body*
- *Electrostatic powder coating*
- *Anti-glare polycarbonate display.*



MODEL 130X1243MM

Ideal for



INTERNAL  
AREAS



HOMES



BUSINESSES



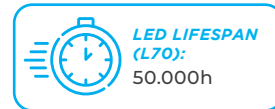
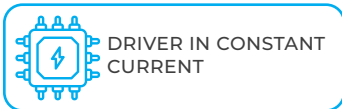
OFFICES



RESTAURANTS

# LIGHT FIXTURE OFFICE - **3.600**

## Technical Characteristics



LIGHT FIXTURE LUMINOUS POWER	3.600 lm ±10%
LED FLUX	4.200 lm ±10%
EFFICIENCY	112,5 lm/W ±10%
COLOR TEMPERATURE	5000 K
LIGHT OPENING ANGLE	120°
COLOR RENDERING INDEX (IRC)	>80

OPERATING VOLTAGE	127~220 V
INPUT FREQUENCY	50/60 Hz
INPUT CURRENT	260mA (127V) 150mA (220V)
POWER FACTOR	0.99
PROTECTION RATING	IP20
APPLICATION TEMPERATURE	-5 A 35°C
SURGE SUPPRESSOR (8/20 µs)	3,5 kA



MODEL **617X617MM**

CODE	MODEL	COLOR	COLOR TEMPERATURE	POWER	LUMINOUS FLUX	EFFICIENCY	SURGE SUPPRESSOR	PHOTOCELL
E073400110	617x617mm	White	5000K	32 W	3.600 lm	112,5 lm/W	Yes	No



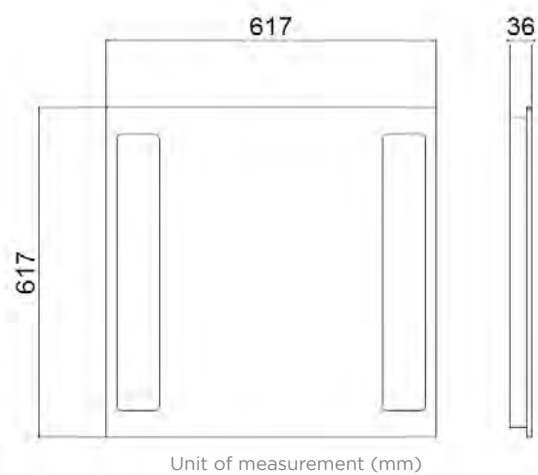
MODEL **130X1243MM**

CODE	MODEL	COLOR	COLOR TEMPERATURE	POWER	LUMINOUS FLUX	EFFICIENCY	SURGE SUPPRESSOR	PHOTOCELL
E073400120	130X1243mm	White	5000K	32 W	3.600 lm	112,5 lm/W	Yes	No

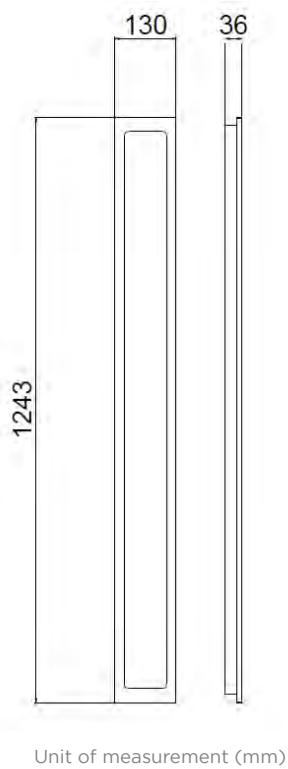




MODEL **617X617MM**



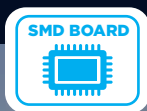
MODEL **130X1243MM**





# BEACON ASL

32 cd • 16 cd



AVAILABLE COLOR:

GRAY



MODEL SINGLE

- *High brightness LED beacon*
- *Aluminium body injected under pressure*
- *Electrostatic powder coating*
- *Colorless polycarbonate display with Fresnel lens*



MODEL DOUBLE

Ideal for



TOWERS



ANTENNAS



WATER TANK



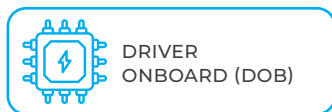
ON TOP OF  
BUILDINGS



INDUSTRIAL  
SIGNAGE

# BEACON ASL - 32 cd

## Technical Characteristics



DRIVER  
ONBOARD (DOB)



WEIGHT:  
585g/  
1.250g



40 LEDs  
HIGH BRIGHTNESS  
RED VIA DOME



POWER:  
5 W OR  
10 W ±10%

OPERATING VOLTAGE	127 V, 220 V OR 24 Vc.c.
INPUT FREQUENCY	50/60 Hz
PROTECTION RATING	IP65
APPLICATION TEMPERATURE	-10 A 50 °C
PHOTOCELL	INTEGRATED (SEE MODELS))
SURGE SUPPRESSOR (8/20 µs)	6 kA



### MODEL SINGLE

CODE	MODEL	COLOR	VOLTAGE	POWER	LUMINOUS FLUX	EFFICIENCY	SURGE SUPPRESSOR	PHOTOCELL
E003040480	Continuous	Red	24 V	5 W	32 cd	N/A	Yes	No
E003040560	Continuous	Red	24 V	5 W	32 cd	N/A	Yes	Yes
E003040520	Intermittent	Red	24 V	5 W	32 cd	N/A	Yes	No
E003040600	Intermittent	Red	24 V	5 W	32 cd	N/A	Yes	Yes
E003040465	Continuous	Red	114-140 V	5 W	32 cd	N/A	Yes	No
E003040545	Continuous	Red	114-140 V	5 W	32 cd	N/A	Yes	Yes
E003040505	Intermittent	Red	114-140 V	5 W	32 cd	N/A	Yes	No
E003040585	Intermittent	Red	114-140 V	5 W	32 cd	N/A	Yes	Yes
E003040460	Continuous	Red	198-242 V	5 W	32 cd	N/A	Yes	No
E003040540	Continuous	Red	198-242 V	5 W	32 cd	N/A	Yes	Yes
E003040500	Intermittent	Red	198-242 V	5 W	32 cd	N/A	Yes	No
E003040580	Intermittent	Red	198-242 V	5 W	32 cd	N/A	Yes	Yes

Protection against  
*dust* and *water jets*.





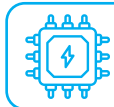


**MODEL DOUBLE**

CODE	MODEL	COLOR	VOLTAGE	POWER	LUMINOUS FLUX	EFFICIENCY	SURGE SUPPRESSOR	PHOTOCELL
E003040640	Continuous	Red	24 V	10 W	32 cd per dome	N/A	Yes	No
E003040720	Continuous	Red	24 V	10 W	32 cd per dome	N/A	Yes	Yes
E003040680	Intermittent	Red	24 V	10 W	32 cd per dome	N/A	Yes	No
E003040760	Intermittent	Red	24 V	10 W	32 cd per dome	N/A	Yes	Yes
E003040625	Continuous	Red	114-140 V	10 W	32 cd per dome	N/A	Yes	No
E003040705	Continuous	Red	114-140 V	10 W	32 cd per dome	N/A	Yes	Yes
E003040665	Intermittent	Red	114-140 V	10 W	32 cd per dome	N/A	Yes	No
E003040745	Intermittent	Red	114-140 V	10 W	32 cd per dome	N/A	Yes	Yes
E003040620	Continuous	Red	198-242 V	10 W	32 cd per dome	N/A	Yes	No
E003040700	Continuous	Red	198-242 V	10 W	32 cd per dome	N/A	Yes	Yes
E003040660	Intermittent	Red	198-242 V	10 W	32 cd per dome	N/A	Yes	No
E003040740	Intermittent	Red	198-242 V	10 W	32 cd per dome	N/A	Yes	Yes

# BEACON ASL - 16 cd

## Technical Characteristics



DRIVER ON BOARD (DOB);



**WEIGHT:**  
585g/  
1.250g



20 LEDs  
HIGH BRIGHTNESS  
RED VIA DOME



**POWER:**  
3 W OR  
6 W  $\pm 10\%$

OPERATING VOLTAGE	127 V, 220 V/24 Vc.c.
INPUT FREQUENCY	50/60 Hz
PROTECTION RATING	IP65
APPLICATION TEMPERATURE	-10 TO 50 °C
PHOTOCELL	INTEGRATED (SEE MODELS)
SURGE SUPPRESSOR (8/20 $\mu$ s)	6 kA



### MODELO SIMPLES

CODE	MODEL	COLOR	VOLTAGE	POWER	LUMINOUS FLUX	EFFICIENCY	SURGE SUPPRESSOR	PHOTOCELL
E003040470	Continuous	Red	24 V	3 W	16 cd	N/A	Yes	No
E003040550	Continuous	Red	24 V	3 W	16 cd	N/A	Yes	Yes
E003040510	Intermittent	Red	24 V	3 W	16 cd	N/A	Yes	No
E003040590	Intermittent	Red	24 V	3 W	16 cd	N/A	Yes	Yes
E003040237	Continuous	Red	114-140 V	3 W	16 cd	N/A	Yes	No
E003040238	Continuous	Red	114-140 V	3 W	16 cd	N/A	Yes	Yes
E003040495	Intermittent	Red	114-140 V	3 W	16 cd	N/A	Yes	No
E003040575	Intermittent	Red	114-140 V	3 W	16 cd	N/A	Yes	Yes
E003040450	Continuous	Red	198-242 V	3 W	16 cd	N/A	Yes	No
E003040530	Continuous	Red	198-242 V	3 W	16 cd	N/A	Yes	Yes
E003040490	Intermittent	Red	198-242 V	3 W	16 cd	N/A	Yes	No
E003040570	Intermittent	Red	198-242 V	3 W	16 cd	N/A	Yes	Yes

Protection against  
*dust* and *water jets*.



# BEACON ASL - **16 cd**



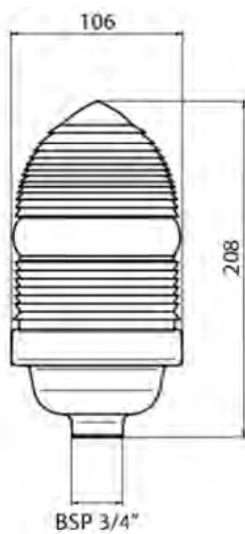
## MODEL **DOUBLE**

CODE	MODEL	COLOR	VOLTAGE	POWER	LUMINOUS FLUX	EFFICIENCY	SURGE SUPPRESSOR	PHOTOCELL
E003040630	Continuous	Red	24 V	6 W	16 cd per dome	N/A	Yes	No
E003040710	Continuous	Red	24 V	6 W	16 cd per dome	N/A	Yes	Yes
E003040670	Intermittent	Red	24 V	6 W	16 cd per dome	N/A	Yes	No
E003040750	Intermittent	Red	24 V	6 W	16 cd per dome	N/A	Yes	Yes
E003040271	Continuous	Red	114-140 V	6 W	16 cd per dome	N/A	Yes	No
E003040276	Continuous	Red	114-140 V	6 W	16 cd per dome	N/A	Yes	Yes
E003040655	Intermittent	Red	114-140 V	6 W	16 cd per dome	N/A	Yes	No
E003040735	Intermittent	Red	114-140 V	6 W	16 cd per dome	N/A	Yes	Yes
E003040610	Continuous	Red	198-242 V	6 W	16 cd per dome	N/A	Yes	No
E003040690	Continuous	Red	198-242 V	6 W	16 cd per dome	N/A	Yes	Yes
E003040650	Intermittent	Red	198-242 V	6 W	16 cd per dome	N/A	Yes	No
E003040730	Intermittent	Red	198-242 V	6 W	16 cd per dome	N/A	Yes	Yes

## TECHNICAL DRAWINGS ASL - **32 cd - 16 cd**

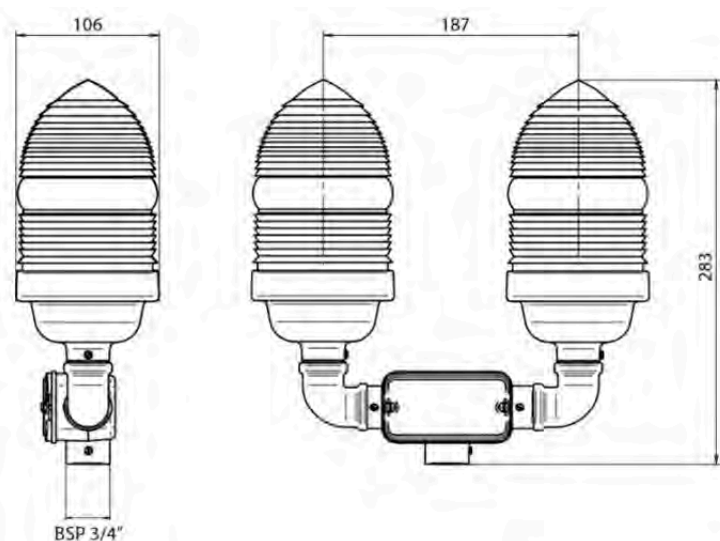


MODEL **SINGLE**



Unit of measurement (mm)

MODEL **DOUBLE**



Unit of measurement (mm)

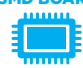




wetzel LED

# BEACONS

IP 65

SMD BOARD  


  
MADE IN  
BRAZIL

RESISTANCE  
IK08





## DIRECT LAMP

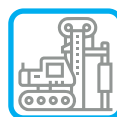


*Aluminium* body *injected* with *electrostatic powder* paint and polycarbonate display.

*Ideal for* IDEAL FOR EMERGENCY LIGHTING LINES,



LOCOMOTIVES



EQUIPMENT



VESSELS



SOLAR  
POWER  
SYSTEMS



*Injected aluminium* body with *electrostatic powder* coating and anti-glare glass visor.

*Ideal for*



INTERNAL AREAS/  
EXTERNAL  
SQUARES OF  
INDUSTRIES



SQUARES



SHEDS



PARKING

## LIGHT FIXTURE WYL 400



## LIGHT FIXTURE IPTL 900 • 400



*Injected aluminium* body with *electrostatic powder* coating and anti-glare polycarbonate visor.

*Ideal for*



INTERNAL AREAS/  
EXTERNAL  
SQUARES OF  
INDUSTRIES



SQUARES



SHEDS



PARKING

# LIGHT FIXTURE DIRECTING LAMP 400

AVAILABLE COLORS:

WHITE

GRAY

BLACK

## Technical Characteristics



DRIVER ON BOARD  
(DOB)



WEIGHT:  
230g



24 MID  
POWER LEDs



POWER:  
13 W



LED LIFESPAN  
(L70):  
25.000h

LIGHT FIXTURE LUMINOUS POWER	388 lm $\pm$ 10%
EFFICIENCY	30lm/W
COLOR TEMPERATURE	5000 K
LIGHT OPENING ANGLE	120°
COLOR RENDERING INDEX (Ra)	85
COLOR RENDERING INDEX (Ri)	80

OPERATING VOLTAGE	198~242 V/24 V.c.c.
INPUT FREQUENCY	50/60 Hz
INPUT CURRENT	542mA (24V) 59mA (220V)
POWER FACTOR	0.98
PROTECTION RATING	IP66
APPLICATION TEMPERATURE	-30 A 50°C
SURGE SUPPRESSOR (8/20 $\mu$ s)	1,2 kA

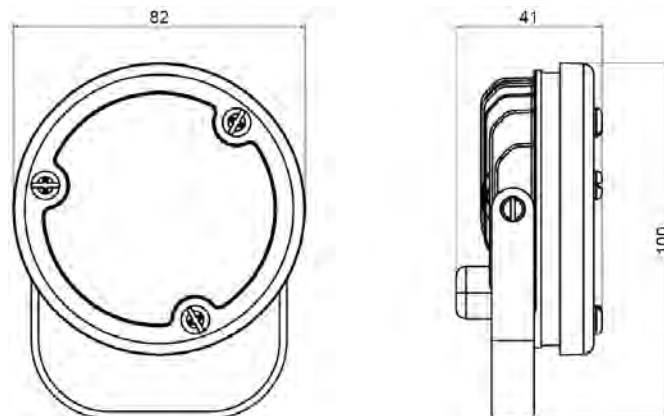


### MODEL PROJECTOR

CODE	COLOR	VOLTAGE	POWER	LUMINOUS FLUX	EFFICIENCY	SURGE SUPPRESSOR	PHOTOCELL
E004651010	Gray	24V	13 W	388 lm	30lm/W	No	No
E004651020	Black	24V	13 W	388 lm	30lm/W	No	No
E004651030	White	24V	13 W	388 lm	30lm/W	No	No
E004651110	Gray	220V	13 W	388 lm	30lm/W	Yes	No
E004651120	Black	220V	13 W	388 lm	30lm/W	Yes	No
E004651130	White	220V	13 W	388 lm	30lm/W	Yes	No

## TECHNICAL DRAWINGS DIRECTING LAMP 400

### MODELO PROJECTOR



Unit of measurement (mm)

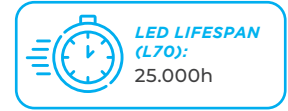
# LIGHT FIXTURE WYL - 400

AVAILABLE COLOR:

GRAY

## Technical Characteristics

• Customizable Product (colors, cabling, types of fastening, special screws, etc.) on request.



LIGHT FIXTURE LUMINOUS POWER	400 lm ±10%
LED FLUX	890 lm ±10%
EFFICIENCY	31 lm/W ±10%
COLOR TEMPERATURE	5000 K
LIGHT OPENING ANGLE	140°
COLOR RENDERING INDEX (Ra)	85
COLOR RENDERING INDEX (Ri)	>75

OPERATING VOLTAGE	198~242 V/24 V.c.c.
INPUT FREQUENCY	50/60 Hz
INPUT CURRENT	59 mA
POWER FACTOR	0.97
PROTECTION RATING	IP65
APPLICATION TEMPERATURE	-30 A 50°C
SURGE SUPPRESSOR (8/20 μs)	2,5 kA



MODELO PENDANT



MODELO 45° SCONCE



MODELO 90° SCONCE



MODELO CEILING LIGHT



### MODELO PENDANT

CODE	MODEL	COLOR	VOLTAGE	POWER	LUMINOUS FLUX	EFFICIENCY	SURGE SUPPRESSOR	PHOTOCELL
E004720110	Pendant	Gray	24 V	13 W	400 lm	31 lm/W	Yes	No
E004720150	Pendant	Gray	110 V	13 W	400 lm	31 lm/W	Yes	No
E004720160	Pendant	Gray	220 V	13 W	400 lm	31 lm/W	Yes	No



### MODELO 45° SCONCE

CODE	MODEL	COLOR	VOLTAGE	POWER	LUMINOUS FLUX	EFFICIENCY	SURGE SUPPRESSOR	PHOTOCELL
E004720130	45° Sconce	Gray	24 V	13 W	400 lm	31 lm/W	Yes	No
E004720030	45° Sconce	Gray	110 V	13 W	400 lm	31 lm/W	Yes	No
E004720050	45° Sconce	Gray	220 V	13 W	400 lm	31 lm/W	Yes	No

# LIGHT FIXTURE

## WYL - 400



### MODEL 90° SCONCE

CODE	MODEL	COLOR	VOLTAGE	POWER	LUMINOUS FLUX	EFFICIENCY	SURGE SUPPRESSOR	PHOTOCELL
E004720140	90° Sconce	Gray	24 V	13 W	400 lm	31 lm/W	Yes	No
E004720010	90° Sconce	Gray	110 V	13 W	400 lm	31 lm/W	Yes	No
E004720020	90° Sconce	Gray	220 V	13 W	400 lm	31 lm/W	Yes	No



### MODEL CEILING LIGHT

CODE	MODEL	COLOR	VOLTAGE	POWER	LUMINOUS FLUX	EFFICIENCY	SURGE SUPPRESSOR	PHOTOCELL
E004720120	Ceiling Light	Gray	24 V	13 W	400 lm	31 lm/W	Yes	No
E004720070	Ceiling Light	Gray	110 V	13 W	400 lm	31 lm/W	Yes	No
E004720090	Ceiling Light	Gray	220 V	13 W	400 lm	31 lm/W	Yes	No

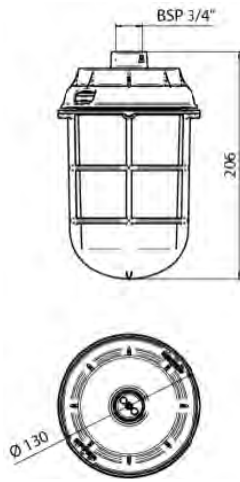
### MODEL WITH REFLECTOR

CODE	MODEL	COLOR	VOLTAGE	POWER	LUMINOUS FLUX	EFFICIENCY	SURGE SUPPRESSOR	PHOTOCELL
E004720190	Pendant	Gray	24 V	13 W	400 lm	31 lm/W	Yes	No
E004720180	Pendant	Gray	110 V	13 W	400 lm	31 lm/W	Yes	No
E004720170	Pendant	Gray	220 V	13 W	400 lm	31 lm/W	Yes	No
E004720200	Ceiling Light	Gray	24 V	13 W	400 lm	31 lm/W	Yes	No
E004720080	Ceiling Light	Gray	110 V	13 W	400 lm	31 lm/W	Yes	No
E004720100	Ceiling Light	Gray	220 V	13 W	400 lm	31 lm/W	Yes	No
E004720210	45° Sconce	Gray	24 V	13 W	400 lm	31 lm/W	Yes	No
E004720040	45° Sconce	Gray	110 V	13 W	400 lm	31 lm/W	Yes	No
E004720060	45° Sconce	Gray	220 V	13 W	400 lm	31 lm/W	Yes	No



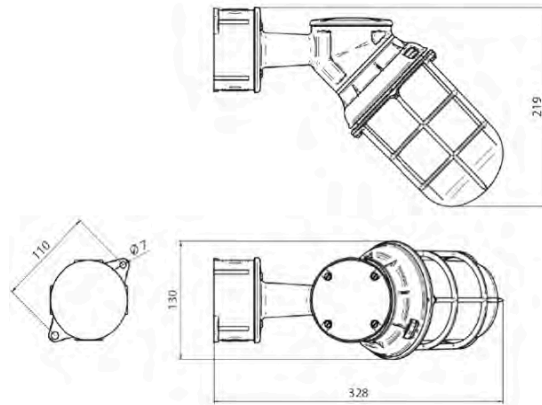


**MODEL PENDANT**



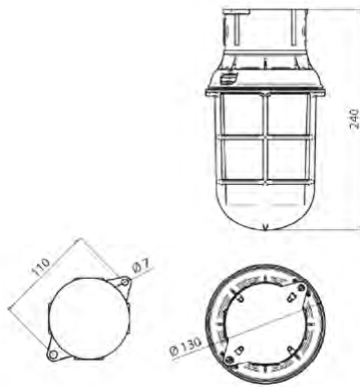
Unit of measurement (mm)

**MODEL 45° SCONCE**



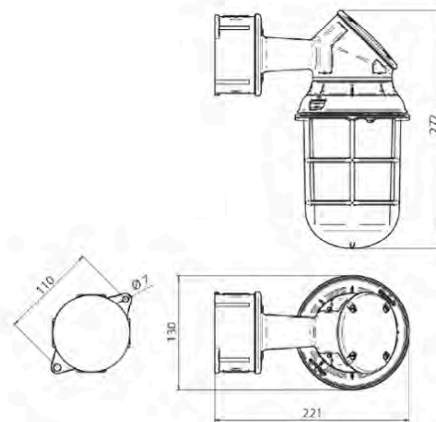
Unit of measurement (mm)

**MODEL CEILING LIGHT**



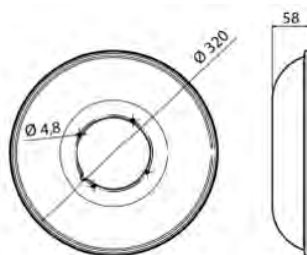
Unit of measurement (mm)

**MODEL 90° SCONCE**



Unit of measurement (mm)

**ACCESSORY REFLECTOR**



Unit of measurement (mm)

# LIGHT FIXTURE IPTL - 900

AVAILABLE COLORS:

WHITE

GRAY

## Technical Characteristics



DRIVER ON BOARD  
(DOB)



WEIGHT:  
700g



16 HIGH  
POWER  
LEDs



POWER:  
26 W ±10%



LED LIFESPAN  
(L70):  
25.000h

LIGHT FIXTURE LUMINOUS POWER	860 lm ±10%
LED FLUX	1.230 lm ±10%
EFFICIENCY	33 lm/W ±10%
COLOR TEMPERATURE	5000 K
LIGHT OPENING ANGLE	145°
COLOR RENDERING INDEX (Ra)	85
COLOR RENDERING INDEX (Ri)	80

OPERATING VOLTAGE	198~242 V/24 V.c.c.
INPUT FREQUENCY	50/60 Hz
INPUT CURRENT	119 mA
POWER FACTOR	0.98
PROTECTION RATING	IP65
APPLICATION TEMPERATURE	-30 A 50°C
SURGE SUPPRESSOR (8/20 μs)	2,5 kA



MODEL SIDE CABLE OUTLET



MODEL BOTTOM CABLE OUTLET

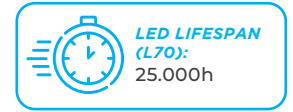


## MODEL TURTLE

CODE	CABLE OUTLET	COLOR	VOLTAGE	POWER	LUMINOUS FLUX	EFFICIENCY	SURGE SUPPRESSOR	PHOTOCELL
E004620030	Side	Gray	24 V	26 W	860 lm	33 lm/W	No	No
E004620048	Side	White	24 V	26 W	860 lm	33 lm/W	No	No
E004620023	Side	Gray	110 V	26 W	860 lm	33 lm/W	No	No
E004620044	Side	White	110 V	26 W	860 lm	33 lm/W	No	No
E004620022	Side	Gray	220 V	26 W	860 lm	33 lm/W	No	No
E004620033	Side	White	220 V	26 W	860 lm	33 lm/W	No	No
E004620031	Bottom	Gray	24 V	26 W	860 lm	33 lm/W	No	No
E004620047	Bottom	White	24 V	26 W	860 lm	33 lm/W	No	No
E004620027	Bottom	Gray	110 V	26 W	860 lm	33 lm/W	No	No
E004620043	Bottom	White	110 V	26 W	860 lm	33 lm/W	No	No
E004620026	Bottom	Gray	220 V	26 W	860 lm	33 lm/W	No	No
E004620032	Bottom	White	220 V	26 W	860 lm	33 lm/W	No	No

# LIGHT FIXTURE IPTL - 400

## Características Técnicas



LIGHT FIXTURE LUMINOUS POWER	388 lm $\pm$ 10%
LED FLUX	890 lm $\pm$ 10%
EFFICIENCY	30 lm/W $\pm$ 10%
COLOR TEMPERATURE	5000 K
LIGHT OPENING ANGLE	145°
COLOR RENDERING INDEX (Ra)	85
COLOR RENDERING INDEX (Ri)	80

OPERATING VOLTAGE	198~242 V/24 V.c.c.
INPUT FREQUENCY	50/60 Hz
INPUT CURRENT	59 mA
POWER FACTOR	> 0.97
PROTECTION RATING	IP65
APPLICATION TEMPERATURE	-30 A 50°C
SURGE SUPPRESSOR (8/20 $\mu$ s)	2,5 kA

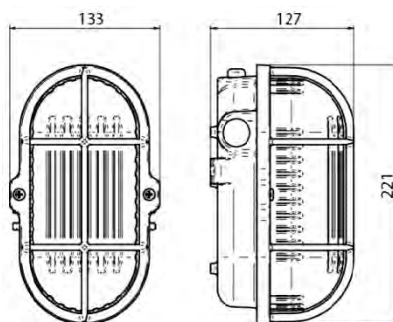


### MODELO TURTLE

CODE	CABLE OUTLET	COLOR	VOLTAGE	POWER	LUMINOUS FLUX	EFFICIENCY	SURGE SUPPRESSOR	PHOTOCELL
E004620028	Side	Gray	24 V	13 W	388 lm	30 lm/W	No	No
E004620050	Side	White	24 V	13 W	388 lm	30 lm/W	No	No
E004620021	Side	Gray	110 V	13 W	388 lm	30 lm/W	No	No
E004620046	Side	White	110 V	13 W	388 lm	30 lm/W	No	No
E004620020	Side	Gray	220 V	13 W	388 lm	30 lm/W	No	No
E004620042	Side	White	220 V	13 W	388 lm	30 lm/W	No	No
E004620029	Bottom	Gray	24 V	13 W	388 lm	30 lm/W	No	No
E004620049	Bottom	White	24 V	13 W	388 lm	30 lm/W	No	No
E004620025	Bottom	Gray	110 V	13 W	388 lm	30 lm/W	No	No
E004620045	Bottom	White	110 V	13 W	388 lm	30 lm/W	No	No
E004620024	Bottom	Gray	220 V	13 W	388 lm	30 lm/W	No	No
E004620041	Bottom	White	220 V	13W	388 lm	30 lm/W	No	No

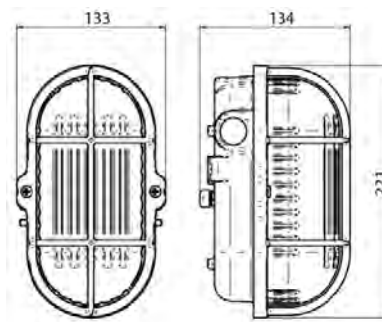
## TECHNICAL DRAWINGS IPTL - 400 - 900

### MODEL IPTL SIDE CABLE OUTLET



Unit of measurement (mm)

### MODEL IPTL BOTTOM CABLE OUTLET

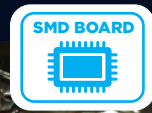


Unit of measurement (mm)





# PORTABLE LIGHT FIXTURES







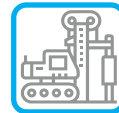
## LIGHT FIXTURE PORTABLE 900 • 400

*Injected aluminium body with electrostatic powder coating and anti-glare glass visor.*

*Ideal for*



LOCOMOTIVES



EQUIPMENT



VESSELS



SOLAR POWER  
SYSTEMS

## LIGHT FIXTURE PORTABLE WYPL 3.400 • 3.000

*Injected aluminium body with electrostatic powder coating and anti-glare glass visor.*

*Ideal for*



OIL  
INDUSTRIES



MINING  
INDUSTRIES



PETROCHEMICALS



FOOD  
INDUSTRIES



# LIGHT FIXTURE IPTL - 900 PORTABLE

AVAILABLE COLOR:

GRAY



## Technical Characteristics



DRIVER ON BOARD  
(DOB)



WEIGHT:  
700g



16 HIGH  
POWER  
LEDs



POWER:  
26 W  $\pm$ 10%



LED LIFESPAN  
(L70):  
25.000h

LIGHT FIXTURE LUMINOUS POWER	860 lm $\pm$ 10%	OPERATING VOLTAGE	198~242 V / 24 Vc.c.
LED FLUX	1.230 lm $\pm$ 10%	INPUT FREQUENCY	50/60 Hz
EFFICIENCY	33 lm/W $\pm$ 10%	INPUT CURRENT	119 mA
COLOR TEMPERATURE	5000 K	POWER FACTOR	0.98
LIGHT OPENING ANGLE	145°	PROTECTION RATING	IP65
COLOR RENDERING INDEX (Ra)	85	APPLICATION TEMPERATURE	-30 A 50°C
COLOR RENDERING INDEX (Ri)	80	SURGE SUPPRESSOR (8/20 $\mu$ s)	2.5 kA



## MODEL PORTABLE

CODE	MODEL	COLOR	VOLTAGE	POWER	LUMINOUS FLUX	EFFICIENCY	SURGE SUPPRESSOR	PHOTOCELL
E004620035	Portable	Gray	24 V	26 W	860 lm	33 lm/W	2.5 kA	No
E004620037	Portable	Gray	110 V	26 W	860 lm	33 lm/W	2.5 kA	No
E004620039	Portable	Gray	220 V	26 W	860 lm	33 lm/W	2.5 kA	No

Protection against  
*dust* and *water jets*.



# LIGHT FIXTURE IPTL - **400 PORTÁTIL**

AVAILABLE COLOR:

GRAY



## Technical Characteristics



DRIVER ON BOARD  
(DOB)



WEIGHT:  
700g



8 HIGH  
POWER  
LEDs



POWER:  
13 W  $\pm$ 10%



LED LIFESPAN  
(L70):  
25.000h

LIGHT FIXTURE LUMINOUS POWER	388 lm $\pm$ 10%	OPERATING VOLTAGE	198~242 V / 24 Vc.c.
LED FLUX	890 lm $\pm$ 10%	INPUT FREQUENCY	50/60 Hz
EFFICIENCY	30 lm/W $\pm$ 10%	INPUT CURRENT	59 mA
COLOR TEMPERATURE	5000 K	POWER FACTOR	> 0.97
LIGHT OPENING ANGLE	145°	PROTECTION RATING	IP65
COLOR RENDERING INDEX (Ra)	85	APPLICATION TEMPERATURE	-30 A 50°C
COLOR RENDERING INDEX (Ri)	80	SURGE SUPPRESSOR (8/20 $\mu$ s)	2.5 kA

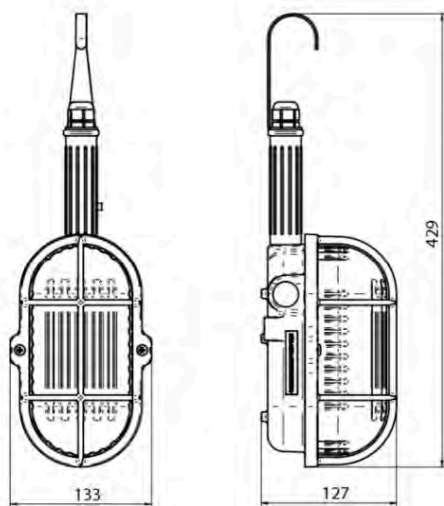


### MODEL PORTABLE

CODE	MODEL	COLOR	VOLTAGE	POWER	LUMINOUS FLUX	EFFICIENCY	SURGE SUPPRESSOR	PHOTOCELL
E004620034	Portable	Gray	24 V	13 W	388 lm	30 lm/W	2.5 kA	No
E004620036	Portable	Gray	110 V	13 W	388 lm	30 lm/W	2.5 kA	No
E004620038	Portable	Gray	210 V	13 W	388 lm	30 lm/W	2.5 kA	No

## TECHNICAL DRAWINGS IPTL PORTÁTIL - **900 - 400**

### MODELO PORTABLE



Unit of measurement (mm)

# LIGHT FIXTURE WYPL - 3.400 PORTABLE

AVAILABLE COLOR:

GRAY



• Customizable Product (colors, cabling, types of fastening, special screws, etc.) on request.

## Technical Characteristics

DRIVER ON BOARD (DOB)

WEIGHT:  
1.650g

43 MID POWER LEDs

POWER:  
44 W ±10%

LED LIFESPAN (L70):  
30.000h

LIGHT FIXTURE LUMINOUS POWER	3.410 lm ±10%
LED FLUX	4.130 lm ±10%
EFFICIENCY	78 lm/W ±10%
COLOR TEMPERATURE	2700 K / 5000 K
LIGHT OPENING ANGLE	104°
COLOR RENDERING INDEX (Ra)	>80
COLOR RENDERING INDEX (Ri)	75

OPERATING VOLTAGE	205-242 V
INPUT FREQUENCY	50/60 Hz
INPUT CURRENT	201 mA
POWER FACTOR	0.99
PROTECTION RATING	IP65
APPLICATION TEMPERATURE	-30 A 50°C
SURGE SUPPRESSOR (8/20 µs)	6 kA



### MODEL PORTABLE

CODE	MODEL	COLOR	VOLTAGE	POWER	LUMINOUS FLUX	EFFICIENCY	SURGE SUPPRESSOR	PHOTOCELL
E004820065	Portable	Gray	2700 K	44 W	3.410 lm	78 lm/W	6 kA	No
E004820060	Portable	Gray	5000 K	44 W	3.410 lm	78 lm/W	6 kA	No

Protection against  
*dust* and *water jets*.





# LIGHT FIXTURE WYPL - 3.000 PORTÁTIL

AVAILABLE COLORS:

WHITE

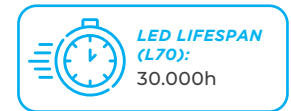
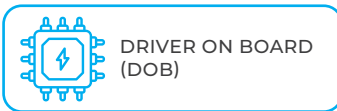
GRAY

BLACK



• Customizable Product (colors, cabling, types of fastening, special screws, etc.) on request.

## Technical Characteristics



LIGHT FIXTURE LUMINOUS POWER	2.790 lm $\pm 10\%$
LED FLUX	3.540 lm $\pm 10\%$
EFFICIENCY	73 lm/W $\pm 10\%$
COLOR TEMPERATURE	2700 K / 5000 K
LIGHT OPENING ANGLE	103°
COLOR RENDERING INDEX (Ra)	>80
COLOR RENDERING INDEX (Ri)	75

OPERATING VOLTAGE	198~242 V
INPUT FREQUENCY	50/60 Hz
INPUT CURRENT	174 mA
POWER FACTOR	0.99
PROTECTION RATING	IP65
APPLICATION TEMPERATURE	-30 A 50°C
SURGE SUPPRESSOR (8/20 $\mu$ s)	6 kA

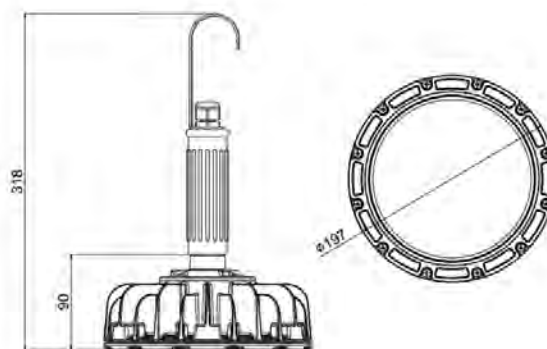


### MODEL PORTABLE

CÓDIGO	MODELO	COR	TEMPERATURA DE COR	POTÊNCIA	FLUXO LUMINOSO	EFICIÊNCIA	SUPRESSOR DE SURTO	FOTOCÉLULA
E004820233	Portable	Gray	2700 K	38 W	2.790 lm	73 lm/W	6 kA	No
E004820240	Portable	Gray	5000 K	38 W	2.790 lm	73 lm/W	6 kA	No

## TECHNICAL DRAWINGS WYPL PORTÁTIL - 3.400 - 3.000

### MODELO PORTABLE



Unit of measurement (mm)

wetzel LED

# LED EMERGENCY LIGHTING

4.000 • 3.000

IP 20

SMD BOARD

MADE IN BRAZIL

RESISTANCE  
IK08

4



**AVAILABLE COLOR:**

WHITE



Light fixture with **high luminous flux LED headlights and sealed VRLA battery**. Injected ABS body, adjustable headlights and clear acrylic display.

*Ideal for*



**BUSINESSES**

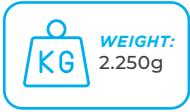


**OFFICES**

# LED EMERGENCY LIGHT FIXTURE **4.000**



## Technical Characteristics



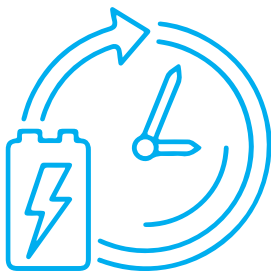
- AUTOMATIC DUAL VOLTAGE
- BATTERY SELF-MANAGEMENT
- ACRYLIC DISPLAY
- AUTONOMY: UP TO 2 HOURS

LIGHT FIXTURE LUMINOUS POWER	3.610 lm
COLOR TEMPERATURE	5000 K
BATTERY	SEALED VRLA 12 V/7 Ah
COLOR RENDERING INDEX	80
PROTECTION RATING	IP20
APPLICATION TEMPERATURE	0°C A 50°C



**MODEL WE-LED 4.000**

CODE	MODEL	POWER	VOLTAGE	LUMINOUS FLUX	TEMP. OF APPLICATION	BATTERY VOLTAGE	PHOTOCELL
E073300060	WE-LED 4000	18 W	BIVOLT	3.610 lm	0 °C a 50 °C	12 V	Yes

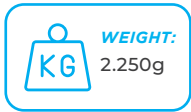


*It has the function of “self-management” of battery, which extends its service life.*



# LED EMERGENCY LIGHT FIXTURE **3.000**

## Technical Characteristics



AUTOMATIC DUAL VOLTAGE

BATTERY SELF-MANAGEMENT

ACRYLIC DISPLAY

AUTONOMY: UP TO 2 HOURS

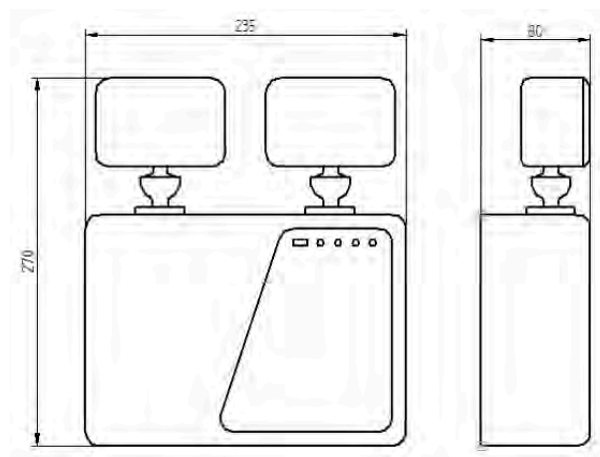
LIGHT FIXTURE LUMINOUS POWER	2.630 lm
COLOR TEMPERATURE	5000 K
BATTERY	SEALED VRLA 12 V/7 Ah
COLOR RENDERING INDEX	80
PROTECTION RATING	IP20
APPLICATION TEMPERATURE	0°C A 50°C



MODEL **WE-LED 3.000**

CODE	MODEL	POWER	VOLTAGE	LUMINOUS FLUX	TEMP. OF APPLICATION	BATTERY VOLTAGE	PHOTOCELL
E073300059	WE-LED 3.000	10 W	BIVOLT	2.630 lm	0 °C a 50 °C	12 V	Yes

## TECHNICAL DRAWINGS WE LED - **4.000 - 3.000**



Unit of measurement (mm)

**wetzel** LED

**EMERGENCY LIGHTING**  
**LED HEAVY**

4.000 • 3.000

**IP 66**

**SMD BOARD**

**MADE IN BRAZIL**

**RESISTANCE IK08**

**DISPLAY PC**



AVAILABLE COLOR:

GRAY



Light fixture with **high luminous flux LED headlights** and **sealed VRLA battery**. Aluminum cast body, adjustable headlights and polycarbonete display.

**Industrial environments** with a high degree of technical requirements.



# EMERGENCY LIGHT FIXTURE LED HEAVY - **4.000**

## Technical Characteristics



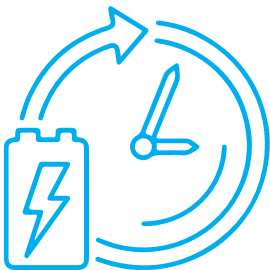
AUTOMATIC DUAL VOLTAGE
BATTERY SELF-MANAGEMENT
POLYCARBONATE DISPLAY
AUTONOMY: UP TO 2 HOURS

LIGHT FIXTURE LUMINOUS POWER	3.610 lm
COLOR TEMPERATURE	5000 K
BATTERY	SEALED VRLA 12 V/7 Ah
COLOR RENDERING INDEX	80
PROTECTION RATING	IP66
APPLICATION TEMPERATURE	0°C A 50°C



### MODEL **WE-LED 4.000 INDUSTRIAL**

CODE	MODEL	POWER	VOLTAGE	LUMINOUS FLUX	TEMP. OF APPLICATION	BATTERY VOLTAGE	PHOTOCELL
E004055020	WE-LED IND	18 W	BIVOLT	3.610 lm	0 °C a 50 °C	12 V	Yes



*It has the function of “self-management” of battery, which extends its service life.*

*Protection against **dust** and **powerful jets of water**.*





# EMERGENCY LIGHT FIXTURE LED HEAVY - **3.000**

## Technical Characteristics



- AUTOMATIC DUAL VOLTAGE
- BATTERY SELF-MANAGEMENT
- POLYCARBONATE DISPLAY
- AUTONOMY: UP TO 2 HOURS

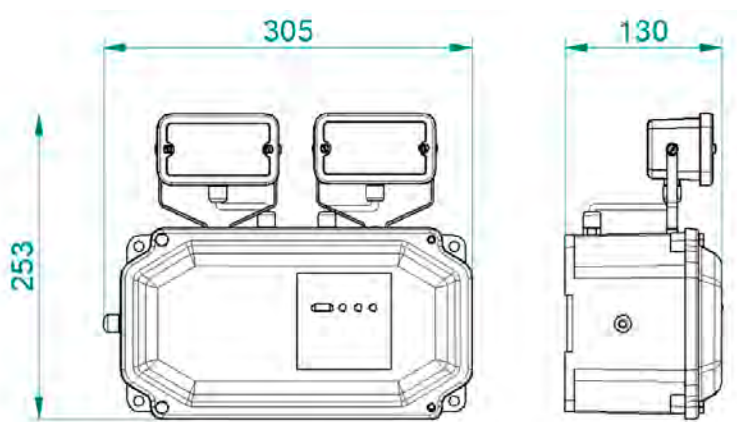
LIGHT FIXTURE LUMINOUS POWER	2.630 lm
COLOR TEMPERATURE	5000 K
BATTERY	SEALED VRLA 12 V/7 Ah
COLOR RENDERING INDEX	80
PROTECTION RATING	IP66
APPLICATION TEMPERATURE	0°C A 50°C



### MODEL **WE-LED 4.000 INDUSTRIAL**

CODE	MODEL	POWER	VOLTAGE	LUMINOUS FLUX	TEMP. OF APPLICATION	BATTERY VOLTAGE	PHOTOCELL
E004055010	WE-LED IND	10 W	BIVOLT	2.630 lm	0 °C a 50 °C	12 V	Yes

## TECHNICAL DRAWINGS WE LED HEAVY - **4.000 - 3.000**



Unit of measurement (mm)

# LEARN MORE ABOUT OUR LINES



ALUMINIUM ACCESSORIES



PLASTIK



CONDUIT BOXES



LIGHTING AND EX BOXES

ACCESS AND DOWNLOAD

Request a free catalog.  
+55 47 3451-8784

[www.WETZEL.com.br](http://www.WETZEL.com.br)







[WETZEL.COM.BR](http://WETZEL.COM.BR)